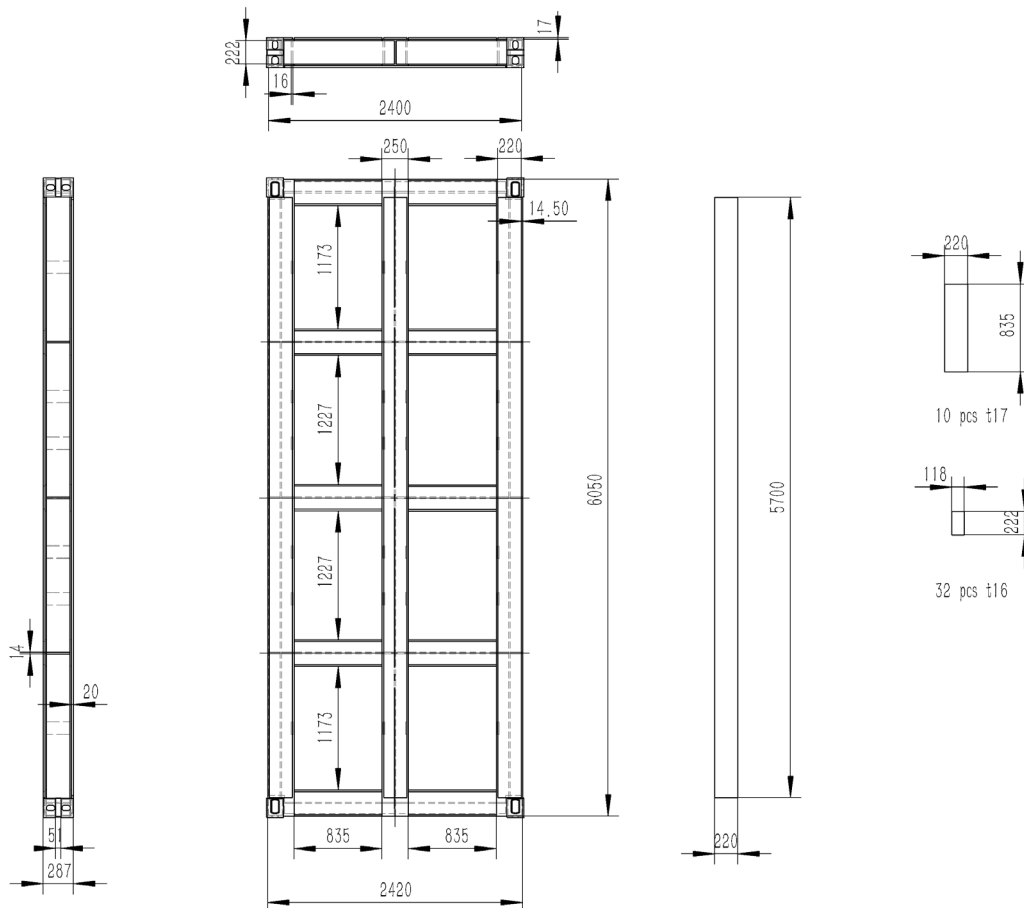
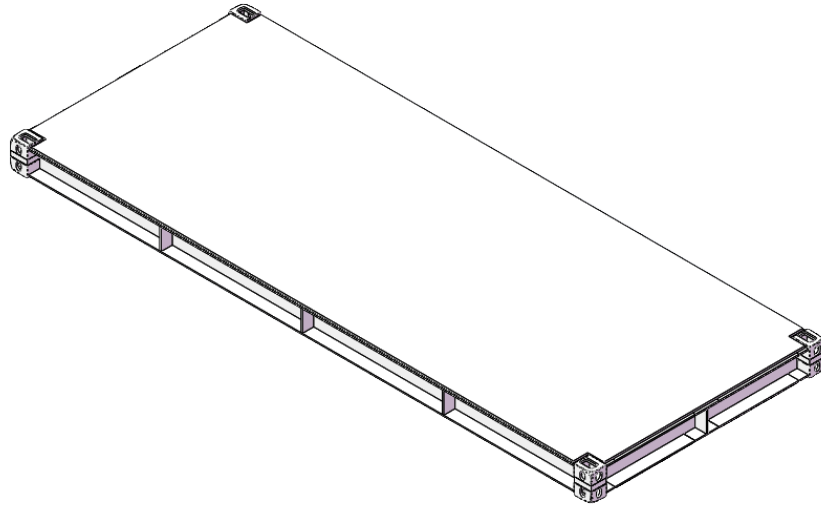




## Heavy Load Platform



- SWL : 175 T - load on full surface and bottom fully supported
- Dimensions : 6.050 x 2.420 x 287 mm
- Material : Q355B
- Surface : painted (primer + top coat) or hot dip galvanised
- Weight : 5.000 kg

(Important note: Measures and weights without engagement. We reserve the right to change technical details.)