



**Marine Lifting & Lashing**  
Equipment

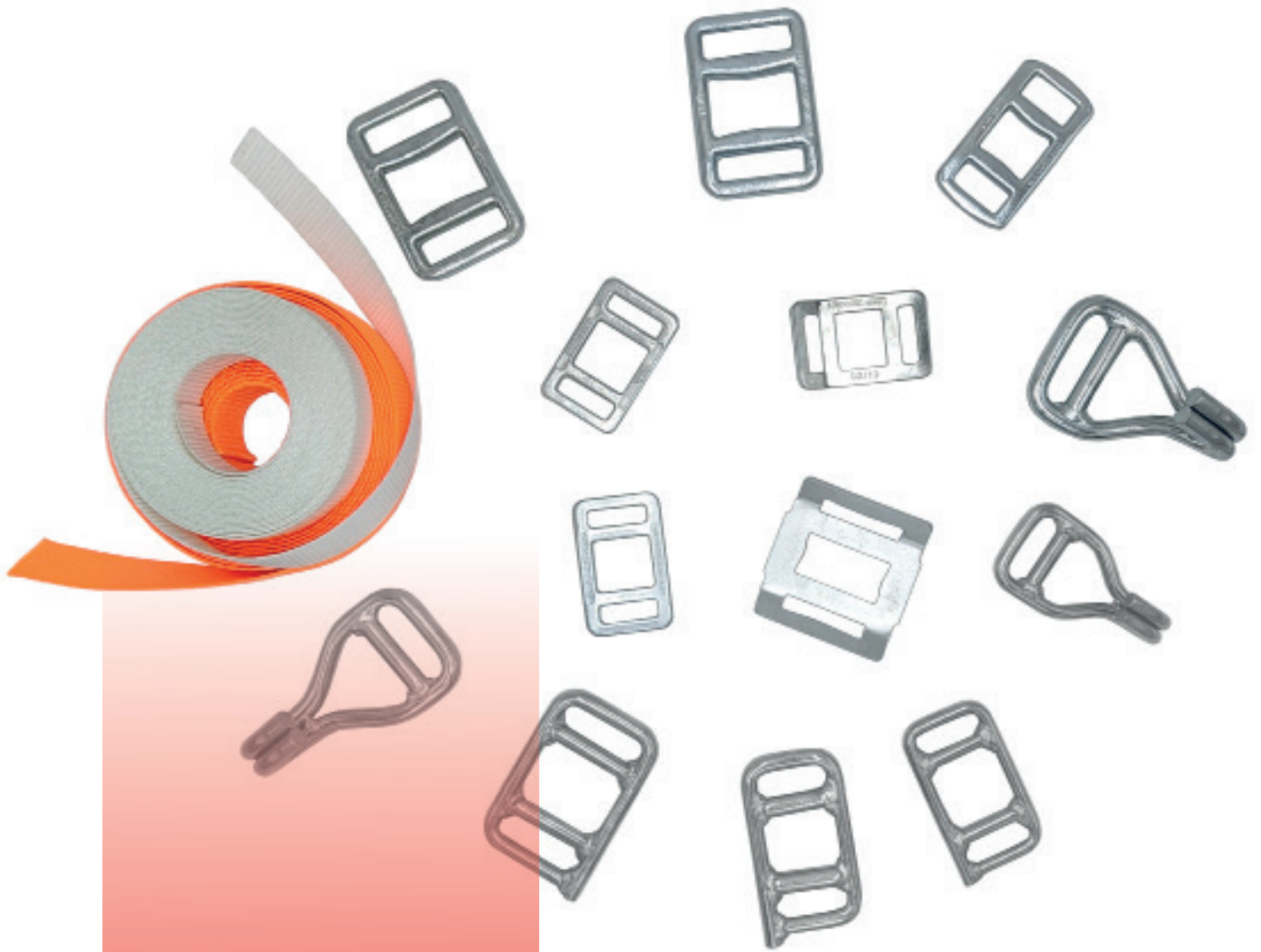
2025



Product  
**CATALOG**  
One Way Lashing



Exclusively represented by  
Stuut Lifting & Lashing



# WELCOME

We, StuuT Lifting & Lashing, work as an agent representing various Asian and European manufactures of lifting and lashing equipment. Throughout the entire process of request for quotations, orders and deliveries we assist you. Our team does the communication with the manufacturer on your behalf.

As a customer you buy directly from the manufacturer which offer you a clear price advance. If you have any questions please contact us.

# CONTENT

Polyester woven one way lashing webbing	2
Wire strapping buckles	4
Plate buckles	5
Welded buckles	5
Forged buckles	7
One way lashing hooks	9
Pneumatic & manual tensioners	13
Ratchets with integrated buckles	15
Ratchets	16
End-Fittings (Double J-hooks)	22
Ratchet parts	28
Web lashings	31
Protection sleeves	39
Corner protectors	40
Container securing nets	48
Anti slip mats	49
Contact	51

**Polyester woven one way lashing webbing**



Art. No.	Width (mm)	Weight (g/m) ± 5 %	Min. Linear Breaking Strength (daN / lbf)	Min. System Breaking Strength (daN / lbf)	Elongation at 33 % MBL (%)	m / Bag	Bags / Pallet	Pallet dimension (cm)	Pallet weight (kg)	Pallets / 20' FCL	Pallets / 40' FCL
H85	25	21	1200 / 2600	1920 / 4230	< 5	300	30	112 x 80 x 112	± 330	28	56
H95	32	37	2000 / 4400	3400 / 7500	< 5	250	30	112 x 80 x 112	± 308	28	56
H105	32	42	2300 / 5100	4000 / 9000	< 5	250	30	112 x 80 x 112	± 315	28	56
H120	38	40	2000 / 4400	3400 / 7500	< 5	250	30	112 x 80 x 112	± 330	28	56
H150	38	62	3500 / 7700	6000 / 13500	< 5	200	25	112 x 80 x 112	± 340	28	56
H200	40	85	5000 / 11000	8500 / 19100	< 5	200	20	112 x 80 x 112	± 370	28	56
H200L	40	70	4000 / 8800	6800 / 15000	< 5	200	22	112 x 80 x 112	± 338	28	56
H300	50	41	2000 / 4400	3400 / 7500	< 5	250	30	112 x 80 x 112	± 338	28	56
H500	50	87	5000 / 11000	8500 / 19100	< 5	200	20	112 x 80 x 112	± 378	28	56
H600	50	105	6000 / 13200	10200 / 22400	< 5	150	23	112 x 80 x 112	± 392	28	56
H750	50	130	7500 / 16500	12750 / 28100	< 5	150	20	112 x 80 x 112	± 420	28	56
H1000	75	175	10000 / 22000	17000 / 37500	< 5	100	20	112 x 80 x 112	± 380	28	56
H1500	75	270	15000 / 33000	25500 / 56200	< 5	100	15	112 x 80 x 112	± 435	28	56

**Important notes:**

- Up to 10 % of the bags per order can contain 2 pcs of webbing. In case a bag contains 2 pcs, each pcs length is minimum 30 meters long
- Webbing available in any color; webbing printing as per customer request is possible

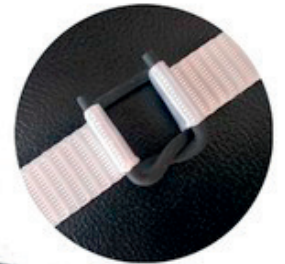


## Woven strapping



Art. No.	Width (mm)	Min. Linear Breaking Strength (kg)	Min. System Breaking Strength (kg)	Length / Coil (m)	2 Coils / Box2	Coils / Pallet
3SWS40L	13	300	480	1100	2	72
3SWS40	13	380	608	1100	2	54
3SWS45	13	550	880	750	2	54
3SWS50L	16	350	560	850	2	72
3SWS50	16	480	768	850	2	54
3SWS55	16	620	992	600	2	54
3SWS60L	19	450	720	600	2	72
3SWS65	19	580	928	600	2	54
3SWS66	19	750	1200	500	2	54
3SWS60HD	19	1100	1760	500	2	54
3SWS85L	25	900	1440	500	2	54
3SWS85	25	1000	1600	500	2	54
3SWS86	25	1200	1920	400	2	54

## Wire strapping buckles



Material : steel  
 Surface : electro-galvanized or phosphated

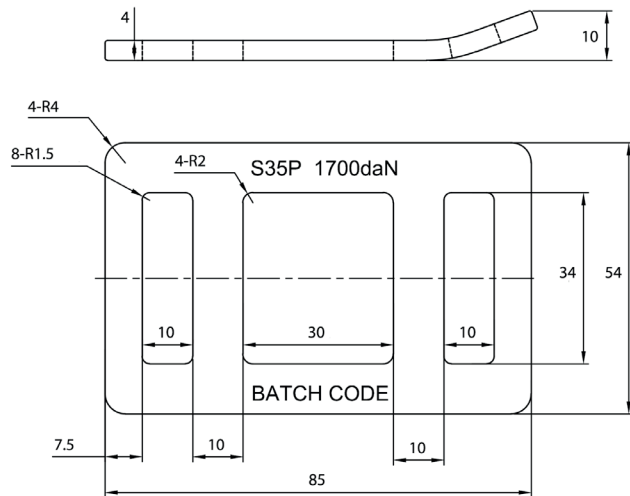
### Specifications:

Art. No.	Size (+/- 1 mm)	Wire Diameter	Breaking Strength (kg +/- 5 %)	Weight / Box	PCS / Box	Boxes / Pallet (1050 x 1050 mm)
WSB1330	13 mm	3.0 mm	480 kg	8.0 kg	1,000	96
WSB1333	13 mm	3.3 mm	480 kg	9.8 kg	1,000	96
WSB1633	16 mm	3.3 mm	680 kg	11.5 kg	1,000	84
WSB1635	16 mm	3.5 mm	880 kg	12.3 kg	1,000	84
WSB1940	19 mm	4.0 mm	760 kg	18.0 kg	1,000	72
WSB1945	19 mm	4.5 mm	1,000 kg	11.8 kg	500	84
WSB2550	25 mm	5.0 mm	1,256 kg	17.4 kg	500	72
WSB2560	25 mm	6.0 mm	1,480 kg	14.0 kg	250	84
WSB3260	32 mm	6.0 mm	1,800 kg	16.0 kg	250	84
WSB3270	32 mm	7.0 mm	2,600 kg	21.8 kg	250	60
WSB4070	40 mm	7.0 mm	3,200 kg	21.5 kg	200	60
WSB4080	40 mm	8.0 mm	3,500 kg	28.0 kg	200	48

### Remarks:

- Wire buckles must be stored in dry conditions.
- Over-tensioning may damage the wire buckles and / or the straps. Stop tensioning once the buckle closes from both ends.

**Plate buckle - 30 & 32 mm - MBL 1,700 daN**

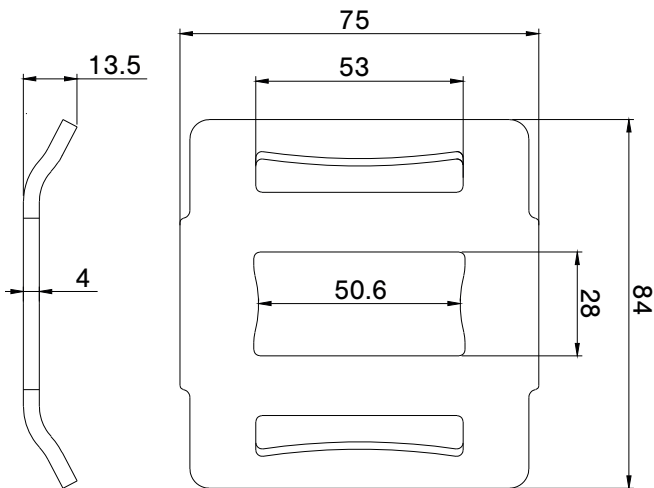


(Dimensions in mm)

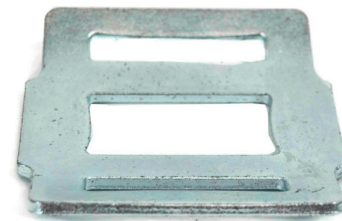


Art. No.	S35P
MBL	1,700 daN
For webbing	30 & 32 mm
Material	C45
Finish	electro galvanized (Cr6+ free)
Markings	as per customer request
Weight	85 g / pc
Packing	125 pcs / carton (48 cts / pallet)

**Plate buckle - 50 mm - MBL 2,000 daN**

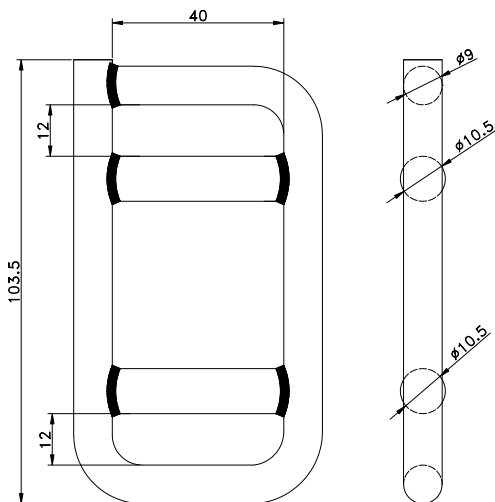


(Dimensions in mm)



Art. No.	BR5001
MBL	2,000 daN
For webbing	50 mm
Finish	electro galvanized (Cr6+ free)
Markings	as per customer request
Weight	18.7 kg / carton
Packing	100 pcs / carton (54 cts / pallet)

**Welded buckle - 32, 38 & 40 mm - MBL 3,000 daN**

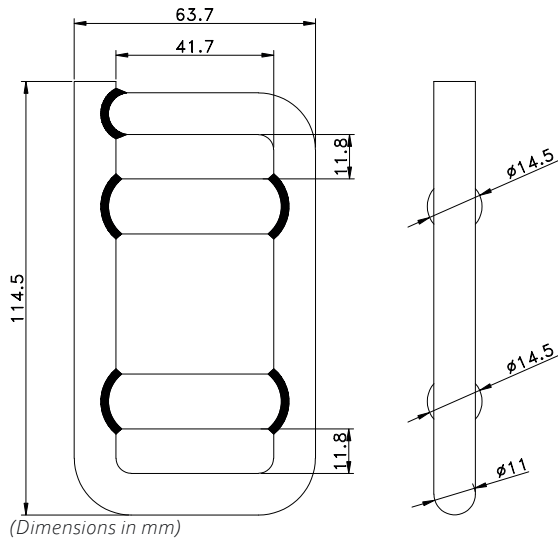


(Dimensions in mm)



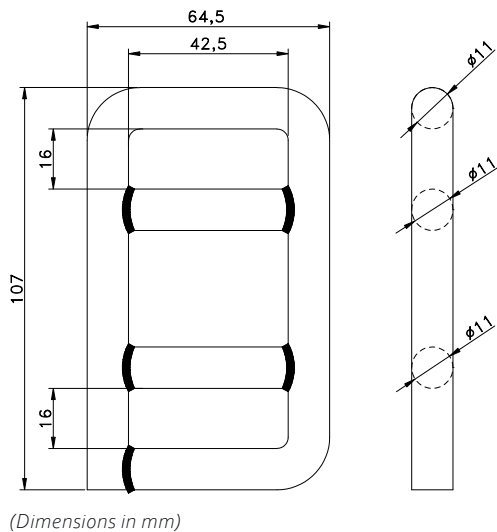
Art. No.	WB3800
MBL	3,000 daN
For webbing	32, 38 & 40 mm
Finish	electro galvanized (Cr6+ free)
Markings	as per customer request
Weight	21 kg / carton
Packing	100 pcs / carton (54 cts / pallet)

**Welded buckle - 32, 38 & 40 mm - MBL 4,000 daN**



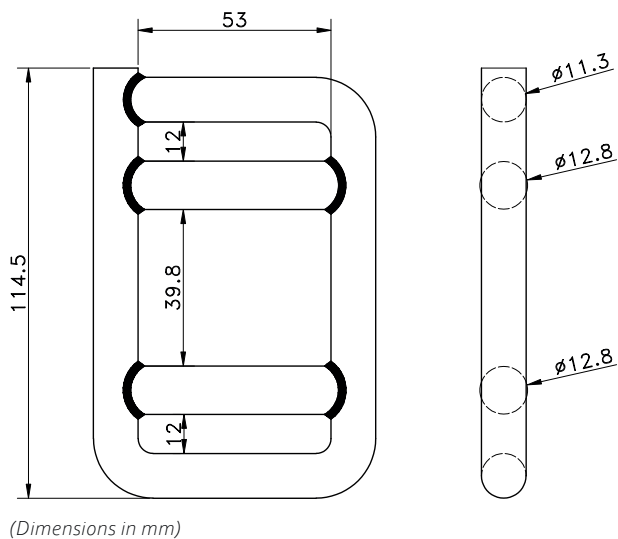
Art. No.	WB3801
MBL	4,000 daN
For webbing	32, 38 & 40 mm
Finish	electro galvanized (Cr6+ free)
Markings	as per customer request
Weight	23.5 kg / carton
Packing	70 pcs / carton (54 cts / pallet)

**Welded buckle - 40 mm - MBL 5,000 daN**



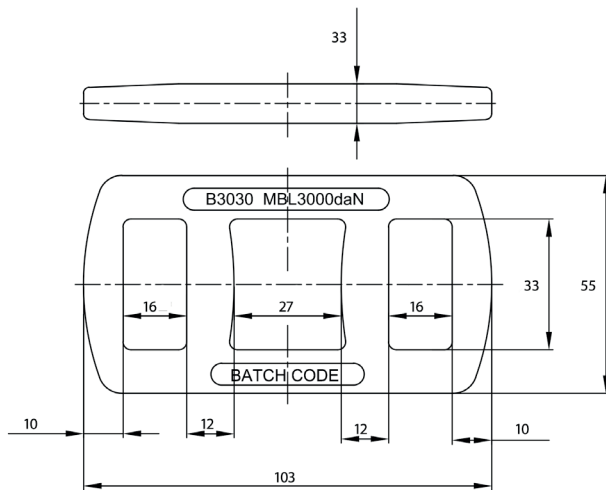
Art. No.	FH8425
MBL	5,000 daN
For webbing	40 mm
Finish	electro galvanized (Cr6+ free)
Markings	as per customer request
Weight	23.5 kg / carton
Packing	80 pcs / carton (54 cts / pallet)

**Welded buckle - 50 mm - MBL 5,000 daN**



Art. No.	WB5800
MBL	5,000 daN
For webbing	50 mm
Finish	electro galvanized (Cr6+ free)
Markings	as per customer request
Weight	19 kg / carton
Packing	50 pcs / carton (54 cts / pallet)

**Forged buckle B3030 - 30 & 32 mm - MBL 3,000 daN**

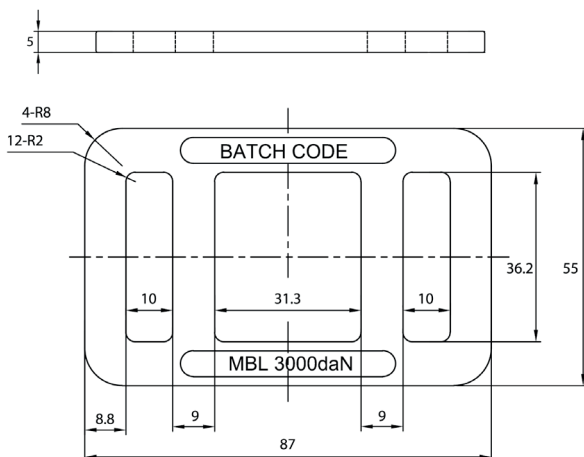


(Dimensions in mm)



Art. No.	B3030
MBL	3,000 daN
For webbing	30 & 32 mm
Material	C45
Finish	electro galvanized (Cr6+ free)
Markings	as per customer request
Weight	215 g / pc
Packing	100 pcs / carton (48 cts / pallet)

**Forged buckle B3530A - 30 & 32 mm - MBL 3,000 daN**

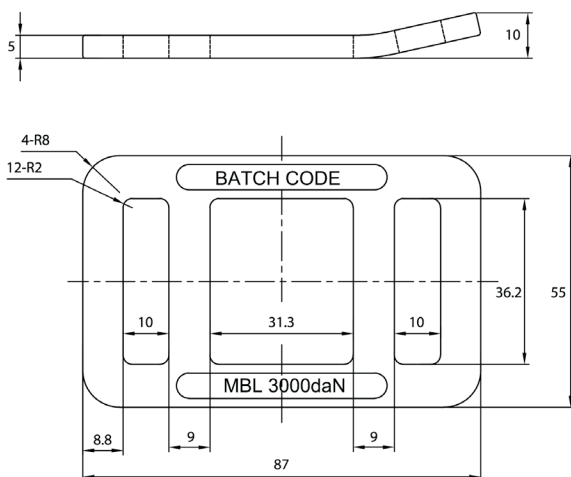


(Dimensions in mm)



Art. No.	B3530A
MBL	3,000 daN
For webbing	30 & 32 mm
Material	C45
Finish	electro galvanized (Cr6+ free)
Markings	as per customer request
Weight	95 g / pc
Packing	80 pcs / carton (48 cts / pallet)

**Forged bent buckle B3530B - 30 & 32 mm - MBL 3,000 daN**



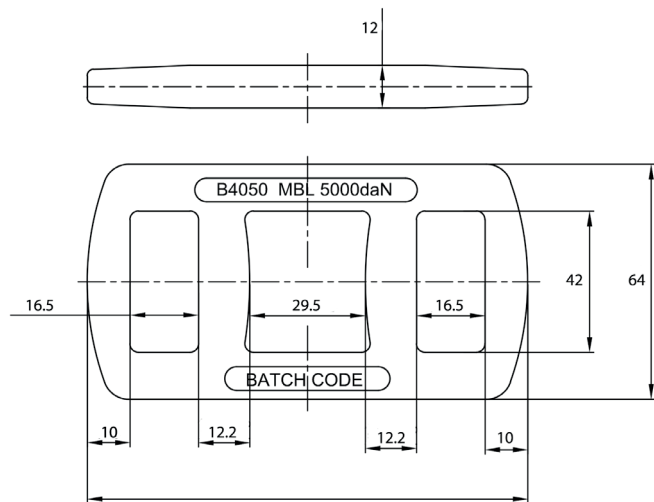
(Dimensions in mm)



Art. No.	B3530B
MBL	3,000 daN
For webbing	30 & 32 mm
Material	C45
Finish	electro galvanized (Cr6+ free)
Markings	as per customer request
Weight	95 g / pc
Packing	80 pcs / carton (48 cts / pallet)



**Forged buckle B4050 - 38 & 40 mm - MBL 5,000 daN**

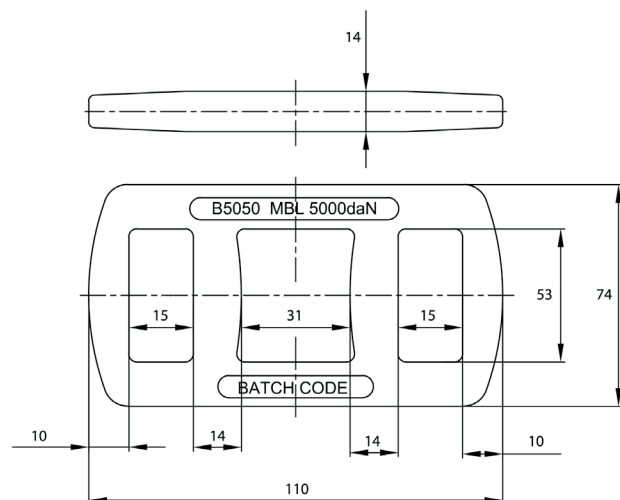


(Dimensions in mm)



Art. No.	B4050
MBL	5,000 daN
For webbing	38 & 40 mm
Material	C45
Finish	electro galvanized (Cr6+ free)
Markings	as per customer request
Weight	290 g / pc
Packing	50 pcs / carton (48 cts / pallet)

**Forged buckle B5050 - 50 mm - MBL 5,000 daN**

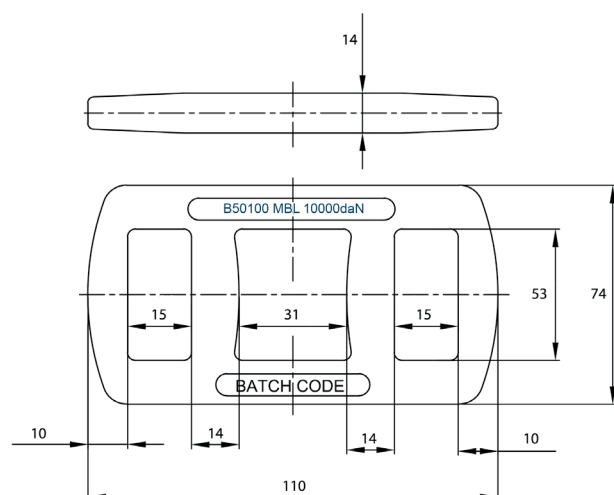


(Dimensions in mm)



Art. No.	B5050
MBL	5,000 daN
For webbing	50 mm
Material	C45
Finish	electro galvanized (Cr6+ free)
Markings	as per customer request
Weight	390 g / pc
Packing	50 pcs / carton (48 cts / pallet)

**Forged buckle B50100 - 50 mm - MBL 10,000 daN**

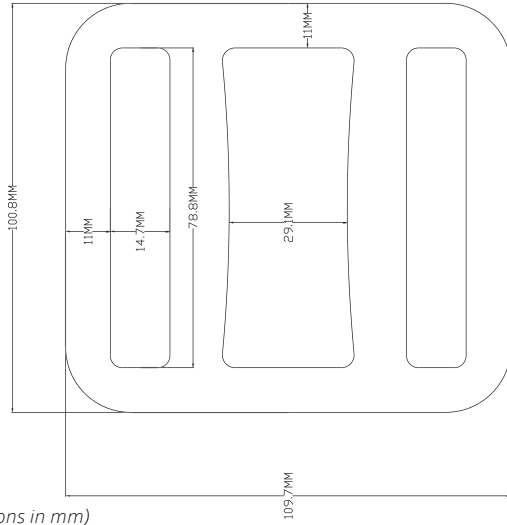


(Dimensions in mm)

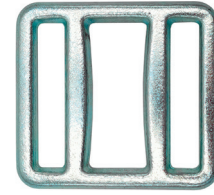


Art. No.	B50100
MBL	10,000 daN
For webbing	50 mm
Material	C45
Finish	electro galvanized (Cr6+ free)
Markings	as per customer request
Weight	390 g / pc
Packing	50 pcs / carton (48 cts / pallet)

Forged buckle B75100 - 75 mm - MBL 10,000 daN

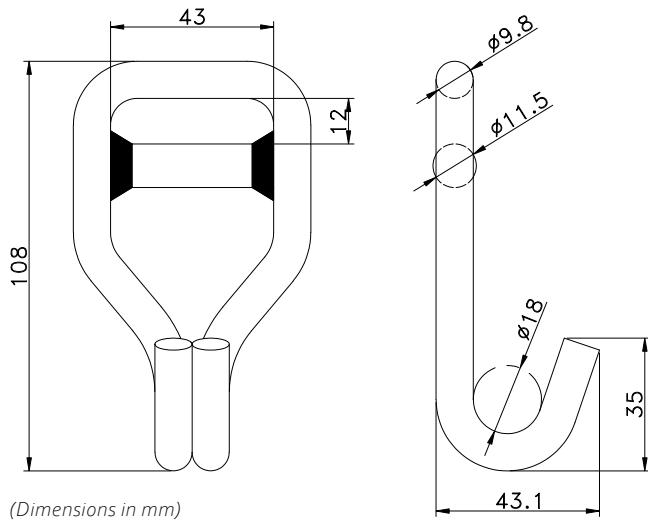


(Dimensions in mm)



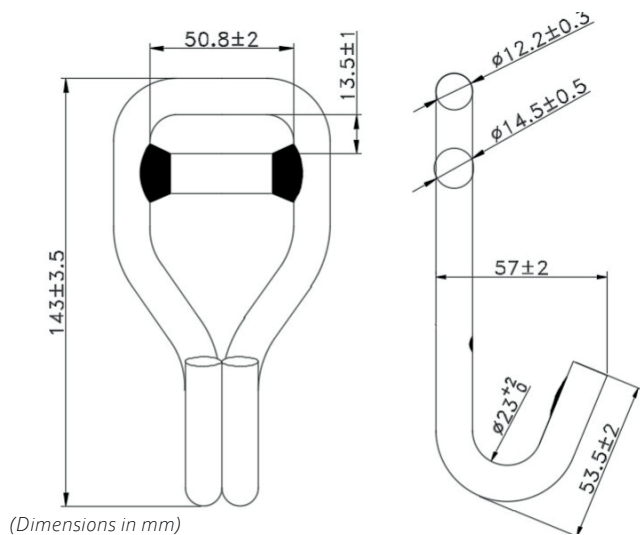
Art. No.	B75100
MBL	1,000 daN
For webbing	75 mm
Material	C45
Finish	electro galvanized (Cr6+ free)
Markings	as per customer request
Weight	550 g / pc
Packing	40 pcs / carton (48 cts / pallet)

**One way lashing hook - 32 & 38 mm - MBL 3,000 daN**



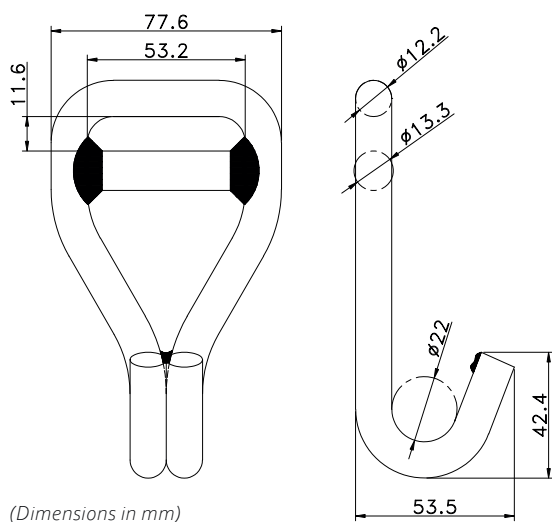
Art. No.	WH3800
MBL	3,000 daN
For webbing	32 & 38 mm
Material	C45
Finish	electro galvanized (Cr6+ free)
Markings	as per customer request
Weight	25.3 kg / carton
Packing	100 pcs / carton (48 cts / pallet)

**One way lashing hook - 40 mm - MBL 5,000 daN**



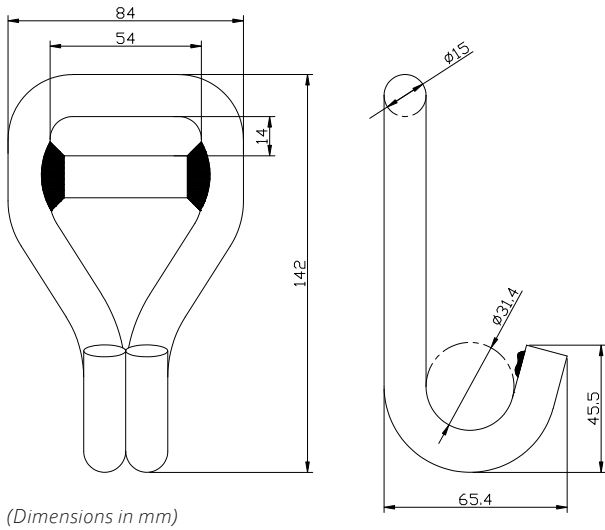
Art. No.	WH8003
MBL	5,000 daN
For webbing	40 mm
Finish	electro galvanized (Cr6+ free)
Markings	as per customer request
Weight	n.n.
Packing	n.n.

**One way lashing hook - 50 mm - MBL 5,000 daN**



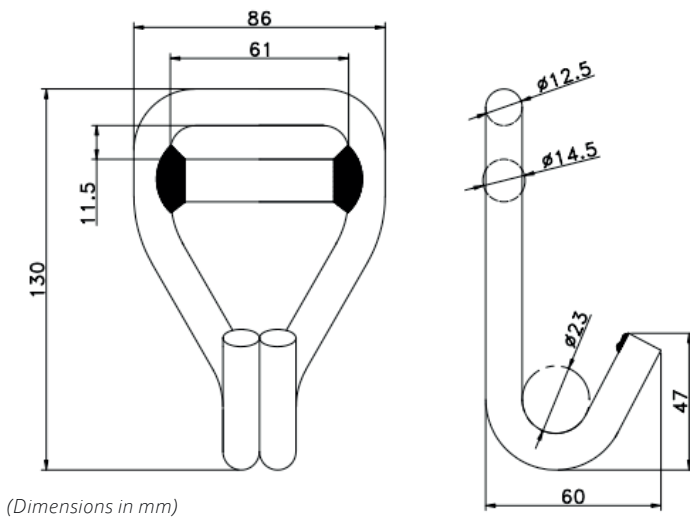
Art. No.	WH8000
MBL	5,000 daN
For webbing	50 mm
Finish	electro galvanized (Cr6+ free)
Markings	as per customer request
Weight	22.5 kg / carton
Packing	50 pcs / carton (48 cts / pallet)

One way lashing hook - 50 mm - MBL 5,000 daN



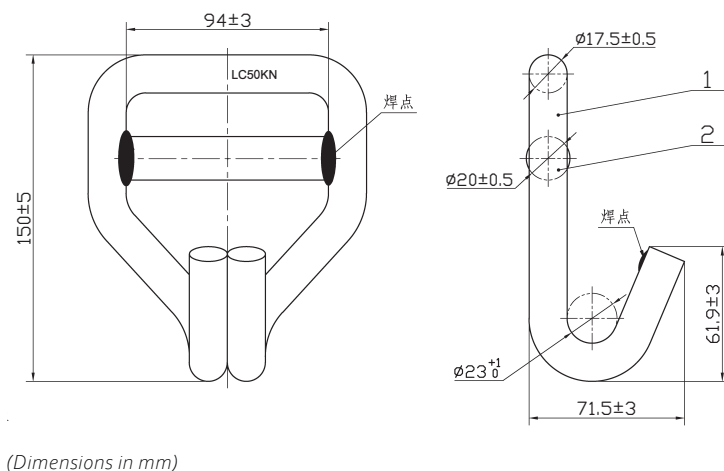
Art. No.	WH8001
MBL	5,000 daN
For webbing	50 mm
Finish	electro galvanized (Cr6+ free)
Markings	as per customer request
Weight	24 kg / carton
Packing	35 pcs / carton (48 cts / pallet)

One way lashing hook - 50 mm - MBL 5,000 daN



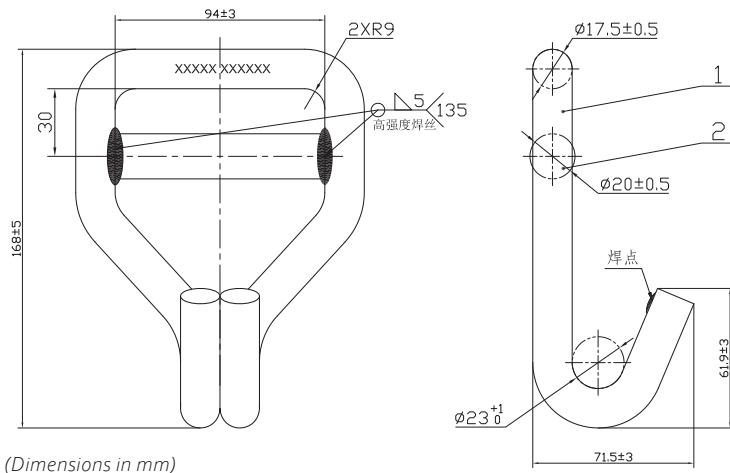
Art. No.	WH8002
MBL	5,000 daN
For webbing	50 mm
Finish	electro galvanized (Cr6+ free)
Markings	as per customer request
Weight	25.5 kg / carton
Packing	50 pcs / carton (48 cts / pallet)

One way lashing hook - 75 mm - MBL 10,000 daN



Art. No.	WH7502
MBL	10,000 daN
For webbing	75 mm
Finish	electro galvanized (Cr6+ free)
Markings	as per customer request
Weight	13.1 kg / carton
Packing	10 pcs / carton (72 cts / pallet)

One way lashing hook - 75 mm - MBL 10,000 daN



Art. No.	WH7502L
MBL	10,000 daN
For webbing	75 mm
Finish	electro galvanized (Cr6+ free)
Markings	as per customer request
Weight	13.8 kg / carton
Packing	10 pcs / carton (72 cts / pallet)



## Pneumatic tensioner for one way webbing up to 50 mm wide

- Very handy and rugged constructed for professional use
- Easiest single-handed and effortless working
- Control of strap tension by pre-selection of operating pressure

High linear tensioning capacity, standard up to 7,500N;  
optional and only on request when ordering, up to 10,000 N.

When estimating the maximum system tensioning capacity,  
other factors like lashing angles and friction have to be taken  
into account. Theoretically the linear tensioning capacity is  
approximately 0.5 x the system tensioning capacity.



For webbing	up to 50 mm wide / 2.4 mm thick
Compressed air	max. 7.5 bar (100 psi) 610 l / min.
Dimensions	32 x 13 x 21 cm
Weight	4.4 kg / piece

### Manual tensioner SPHT50 for one way webbing up to 50 mm wide

Our manual tensioners are low cost and easy to use lashing tools. They allow tension to be applied in an easy, fast and ergonomic manner. With our tensioners a high pre-tension can be achieved.

The main advantages are:

- High quality steel body with hardened parts
  - Durable
  - Economic, low costs
  - Low weight
  - Easy to use
- **For webbing** : up to 50 mm wide
  - **Weight** : 4.3 kg



### Manual tensioners SPT40 / SPT50 for one way webbing up to 40 / 50 mm wide

Our manual tensioners are low cost and easy to use lashing tools. They allow tension to be applied in an easy, fast and ergonomic manner. With our tensioners a high pre-tension can be achieved.

The main advantages are:

- High quality steel body with hardened parts
- Durable
- Economic, low costs
- Easy to use



Art. No.	For webbing (mm)	Weight (kg)
SPT40	40	2.5
SPT50	50	2.6

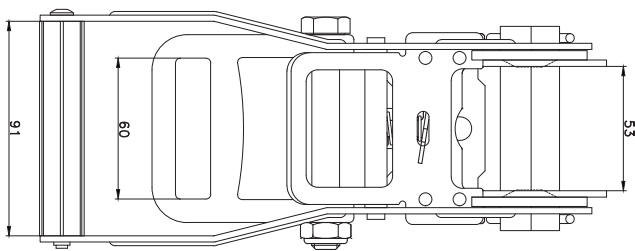
## RATCHETS WITH INTEGRATED LASHING BUCKLES

We offer our 50 mm and 75 mm ratchets complete with integrated one way lashing buckle.

Below indicated are our most commonly used types.

On request we can offer all our other 50 mm ratchets with integrated lashing buckles (see the loose ratchets on pages 13 to 17).

### 50 mm ratchet B500 with integrated forged buckle - LC 2,500 daN / MBL 5,000 daN

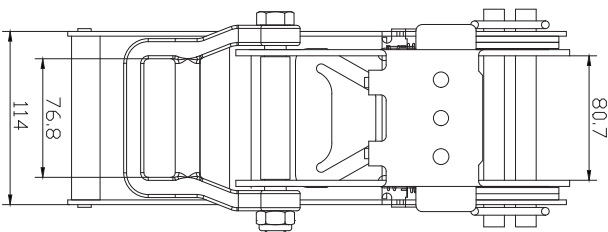


(Dimensions in mm)



Art. No.	B500
MBL	5,000 daN
For webbing	50 mm
STF	350 daN
Finish	electro galvanized (Cr6+ free)
Markings	as per customer request
Weight	1.25 kg / pc
Packing	20 pcs / carton (25 cts / pallet)

### 75 mm ratchet B750 with integrated forged buckle - LC 5,000 daN / MBL 10,000 daN



(Dimensions in mm)



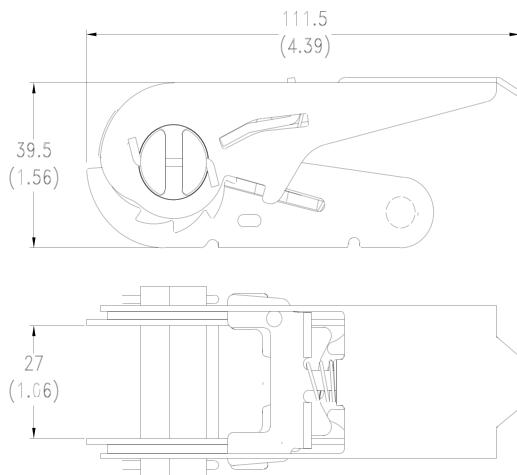
Art. No.	B750
MBL	10,000 daN
For webbing	75 mm
STF	500 daN
Finish	electro galvanized (Cr6+ free)
Markings	as per customer request
Weight	3.6 kg / pc
Packing	6 pcs / carton (36 cts / pallet)

## RATCHETS

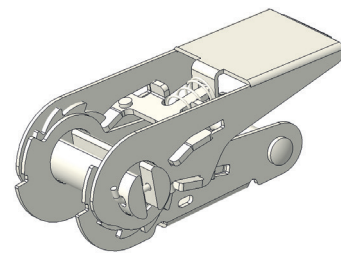
We offer a wide range of 25 mm, 35 mm, 50 mm and 75 mm ratchets with various STF values.

In this paragraph the most common types are listed.  
Please contact us if you require any other models.

### 25 mm economic ratchet B110K - LC 400 daN / MBL 800 daN

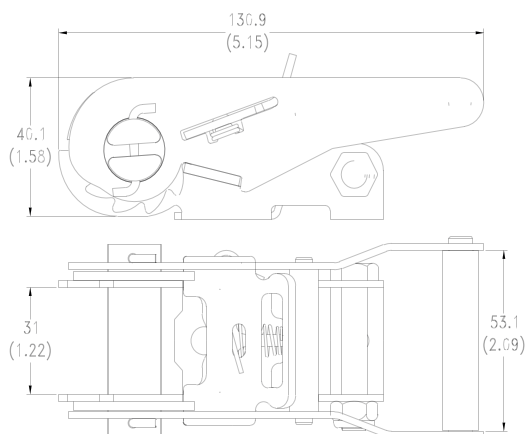


(Dimensions in mm)

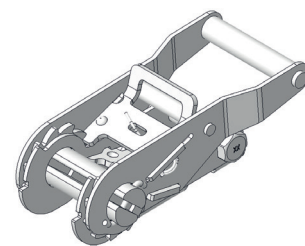


Art. No.	B110K
MBL	800 daN
For webbing	25 mm
STF	110 daN (at STF 25 daN and webbing 1,200 daN)
Weight	21.5 kg / carton
Packing	100 pcs / carton

### 25 mm ratchet B260NE - LC 750 daN / MBL 1,500 daN

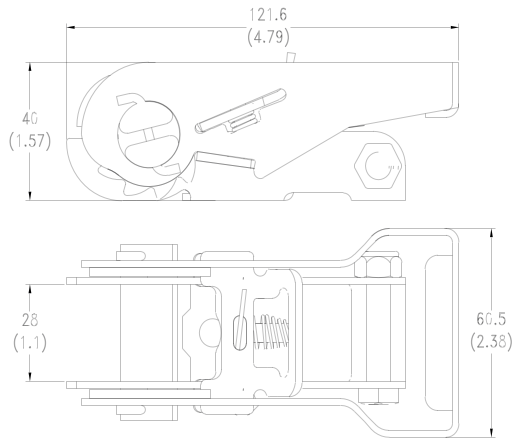


(Dimensions in mm)

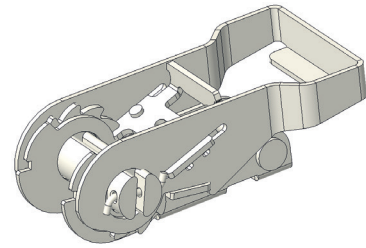


Art. No.	B260NE
MBL	1,500 daN
For webbing	25 mm
STF	140 daN (with webbing 1,500 daN)
Weight	24.1 kg / carton
Packing	60 pcs / carton

**25 mm ratchet B261 - LC 750 daN / MBL 1,500 daN**

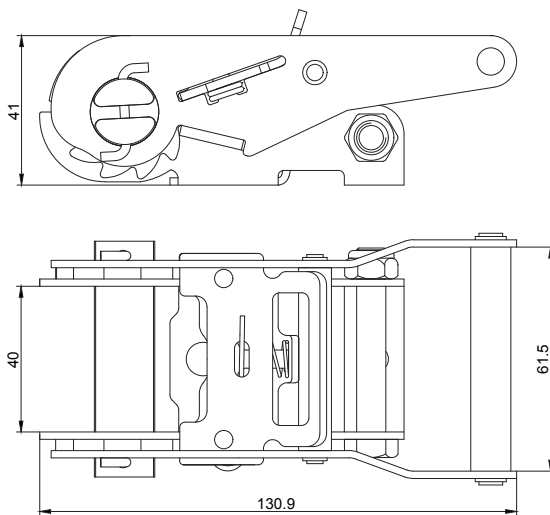


(Dimensions in mm)

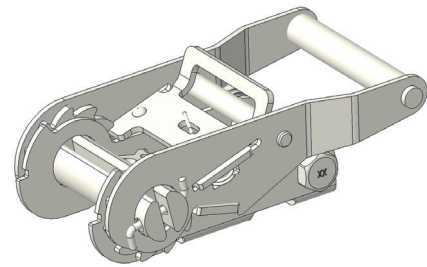


Art. No.	B261
MBL	1,500 daN
For webbing	25 mm
STF	140 daN (with webbing 1,500 daN)
Weight	18.5 kg / carton
Packing	60 pcs / carton

**35 mm ratchet B560NE - LC 1,000 daN / MBL 2,000 daN**

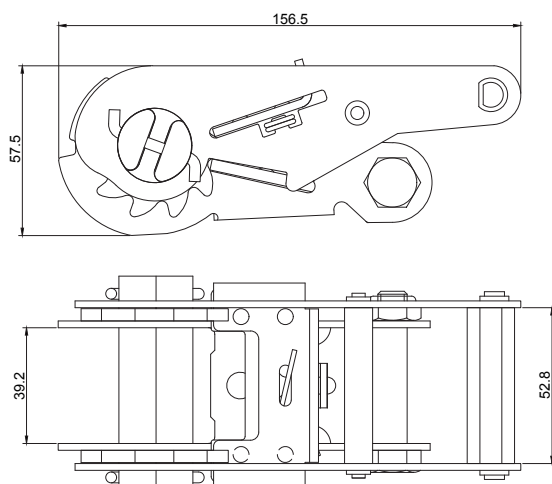


(Dimensions in mm)

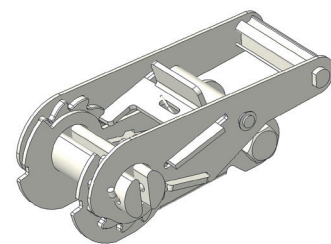


Art. No.	B560NE
MBL	2,000 daN
For webbing	35 mm
STF	220 daN (with webbing 3,000 daN)
Weight	17.7 kg / carton
Packing	40 pcs / carton

**35 mm ratchet B561NW - LC 1,500 daN / MBL 3,000 daN**



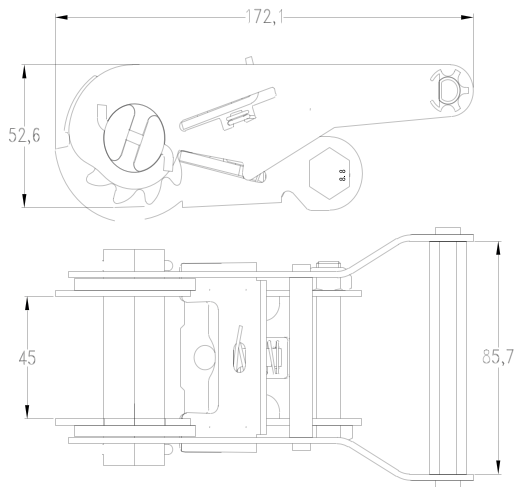
(Dimensions in mm)



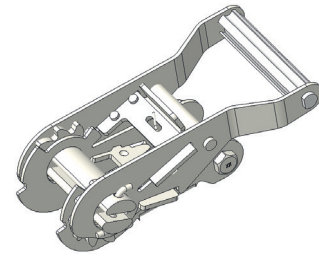
Art. No.	B561NW
MBL	3,000 daN
For webbing	35 mm
STF	210 daN (with webbing 4,500 daN)
Weight	28.9 kg / carton
Packing	40 pcs / carton



**35 mm ratchet B562 - LC 1,500 daN / MBL 3,000 daN**

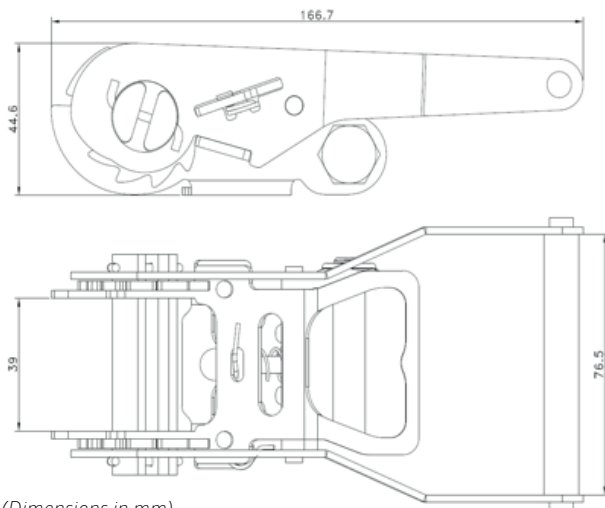


(Dimensions in mm)

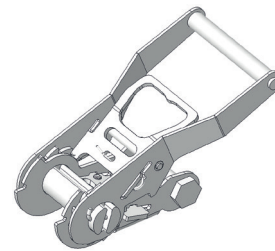


Art. No.	B562
MBL	3,000 daN
For webbing	35 mm
STF	210 daN (with webbing 4,500 daN)
Weight	15.7 kg / carton
Packing	20 pcs / carton

**35 mm ratchet B3802 - LC 1,500 daN / MBL 3,000 daN**

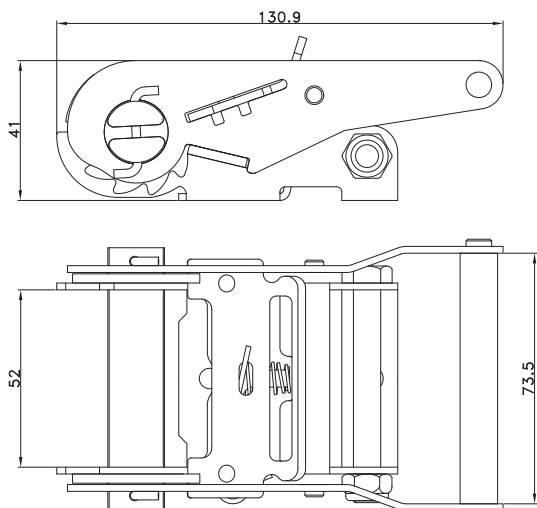


(Dimensions in mm)

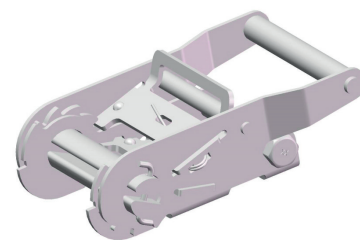


Art. No.	B3802
MBL	3,000 daN
For webbing	35 mm
STF	270 daN (with webbing 4,500 daN)
Weight	22.1 kg / carton
Packing	40 pcs / carton

**50 mm ratchet B530NE - LC 1,000 daN / MBL 2,000 daN**

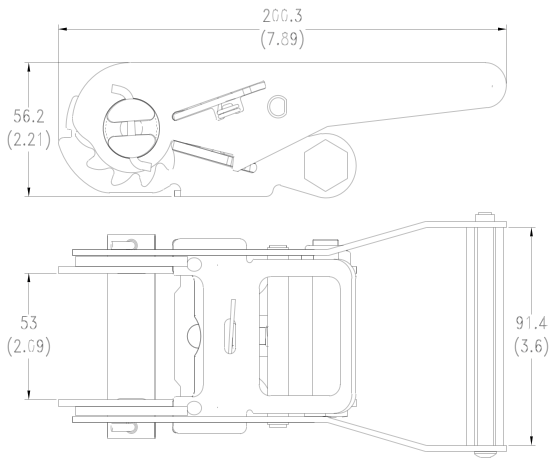


(Dimensions in mm)

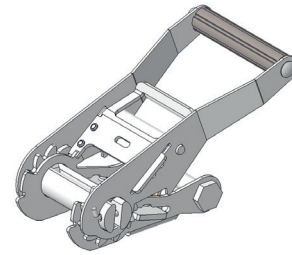


Art. No.	B530NE
MBL	2,000 daN
For webbing	50 mm
STF	180 daN (with webbing 2,000 daN)
Weight	19.0 kg / carton
Packing	40 pcs / carton

**50 mm economic ratchet B550 - LC 2,000 or 2,500 daN / MBL 5,000 daN**

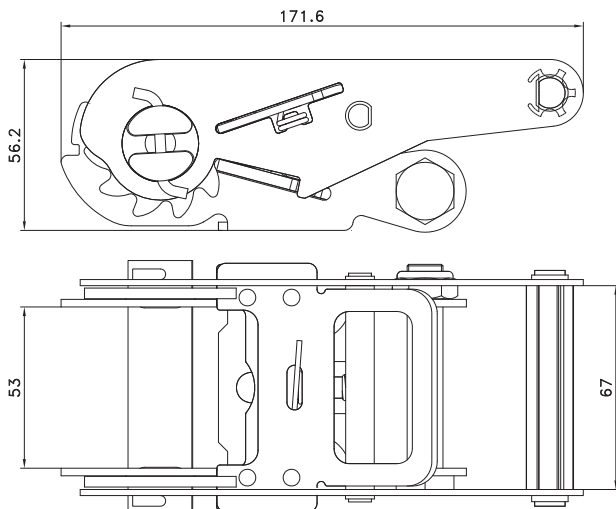


(Dimensions in mm)

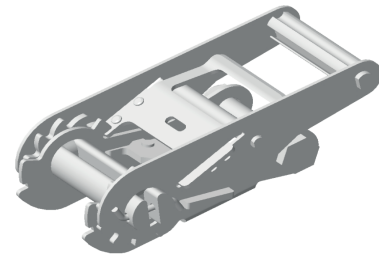


Art. No.	B550
MBL	5,000 daN
For webbing	50 mm
STF	240 daN (with webbing 7,500 daN)
Weight	19.0 kg / carton
Packing	20 pcs / carton

**50 mm ratchet B540W - LC 2,500 daN / MBL 5,000 daN**

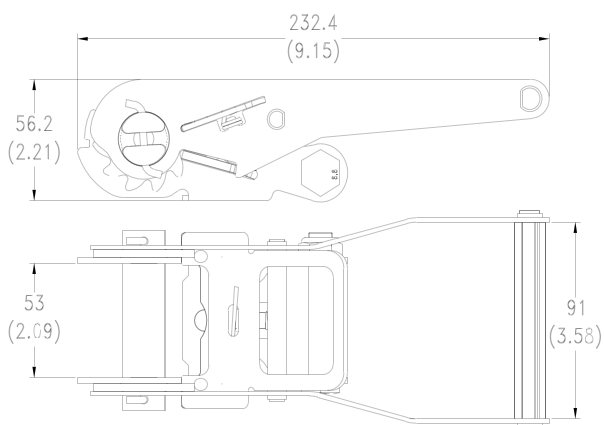


(Dimensions in mm)

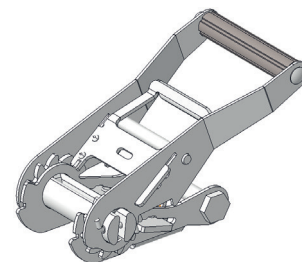


Art. No.	B540W
MBL	5,000 daN
For webbing	50 mm
STF	300 daN (with webbing 7,500 daN)
Weight	18.4 kg / carton
Packing	20 pcs / carton

**50 mm ratchet B500-11T with 11 teeth - LC 2,000 or 2,500 daN / MBL 5,000 daN**

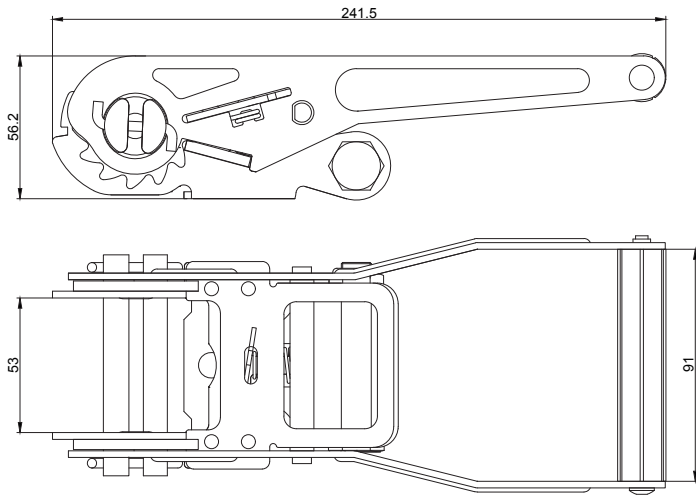


(Dimensions in mm)

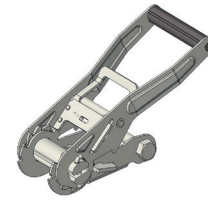


Art. No.	B500-11T
MBL	5,000 daN
For webbing	50 mm
STF	300 daN (with webbing 7,500 daN)
Weight	19.1 kg / carton
Packing	20 pcs / carton

50 mm ratchet B5013MA with 13 teeth (with various grips available) - LC 2,000 or 2,500 daN / MBL 5,000 daN

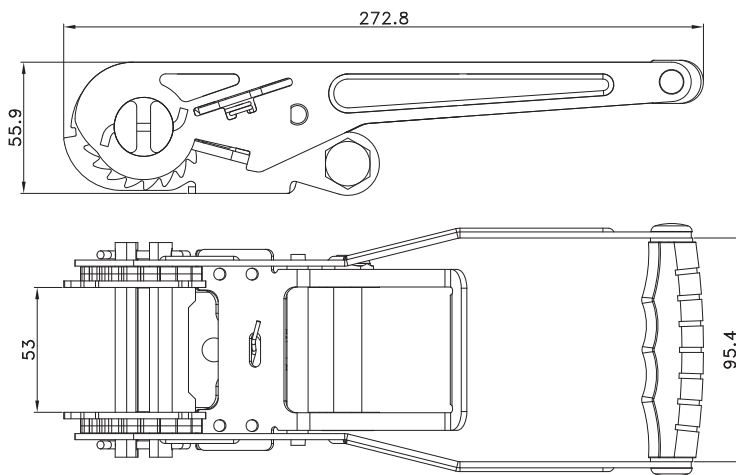


(Dimensions in mm)

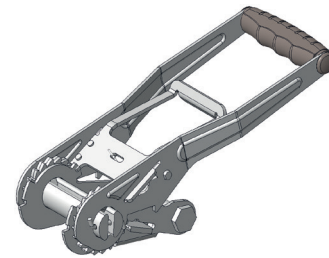


Art. No.	B5013MA
MBL	5,000 daN
For webbing	50 mm
STF	350 daN (with webbing 7,500 daN) 360 daN (with webbing 6,000 daN)
Weight	19.3 kg / carton
Packing	20 pcs / carton

50 mm heavy duty ratchet B5020KA (with various grips available) - LC 2,000 or 2,500 daN / MBL 5,000 daN

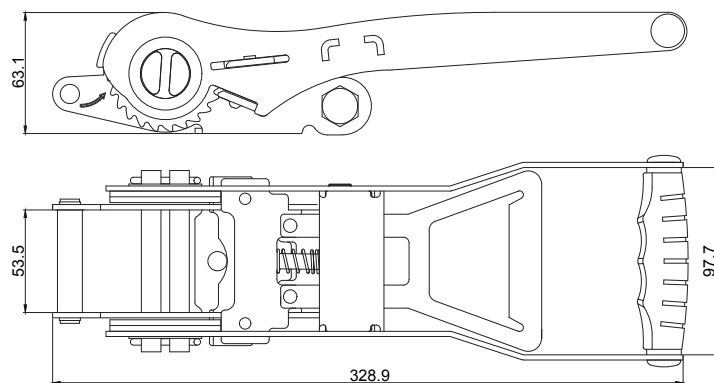


(Dimensions in mm)

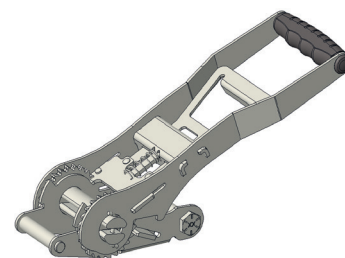


Art. No.	B5020KA
MBL	5,000 daN
For webbing	50 mm
STF	500 daN (with webbing 5,000 daN)
Weight	23.4 kg / carton
Packing	20 pcs / carton

50 mm short ergo ratchet B501GR - LC 2,000 or 2,500 daN / MBL 5,000 daN

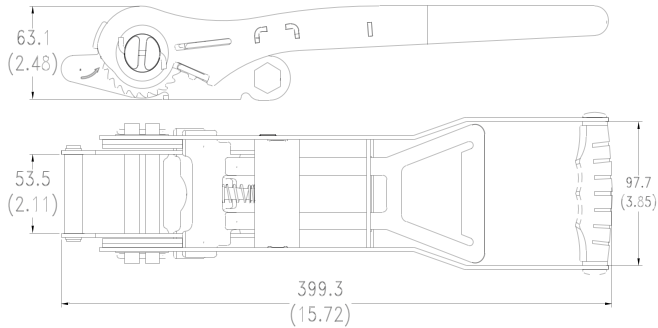


(Dimensions in mm)

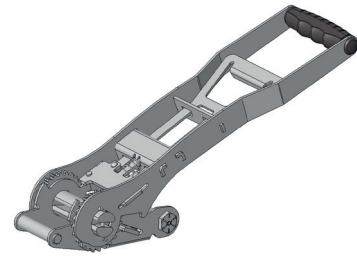


Art. No.	B501GR
MBL	5,000 daN
For webbing	50 mm
STF	500 daN (with webbing 5,000 daN)
Weight	24.5 kg / carton
Packing	24 pcs / carton

**50 mm long ergo ratchet B501HB - LC 2,000 or 2,500 daN / MBL 5,000 daN**

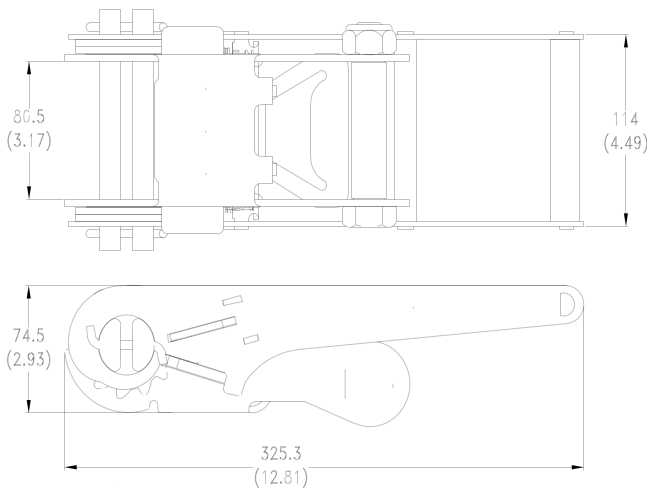


(Dimensions in mm)

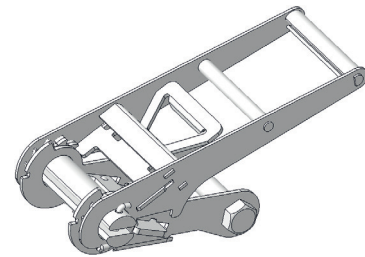


Art. No.	B501HB
MBL	5,000 daN
For webbing	50 mm
STF	650 daN (with webbing 5,000 daN)
Weight	28.3 kg / carton
Packing	16 pcs / carton

**75 mm ratchet B750 - LC 5,000 daN / MBL 10,000 daN**



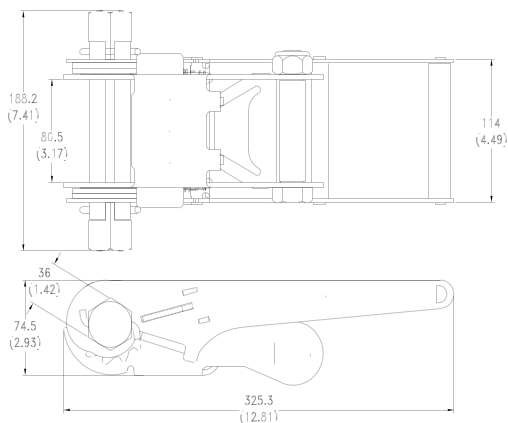
(Dimensions in mm)



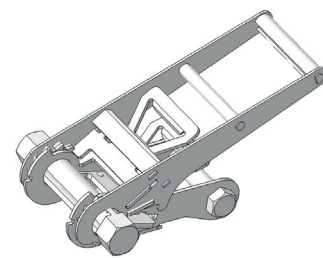
Art. No.	B750
MBL	10,000 daN
For webbing	75 mm
STF	500 daN (with webbing 15,000 daN)
Weight	19.2 kg / carton
Packing	6 pcs / carton

**75 mm ratchet B756 with additional hexagonal nuts on the sides - LC 5,000 daN / 10,000 daN**

- with additional hexagonal nuts on the sides to be able to generate extra pre-tensioning using a torque wrench



(Dimensions in mm)



Art. No.	B756
MBL	10,000 daN
For webbing	75 mm
STF	500 daN or higher (with webbing 15,000 daN)
Weight	22.1 kg / carton
Packing	6 pcs / carton

## END-FITTINGS (DOUBLE J-HOOKS)

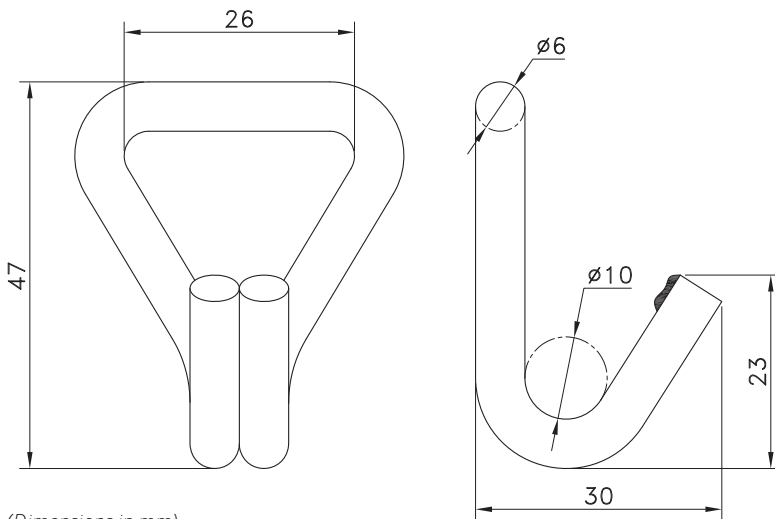
We offer a wide range of 25 mm, 35 mm, 50 mm and 75 mm end-fittings for our web lashings.

This includes for example double J-hooks (with and without safety latch), claw hooks, single J-hooks, triangles, forged hooks with latches, S-hooks, swivel hooks, flat plate hooks, twisted plate hooks and elephant feet.

Below indicated are our most commonly used single and double J-hooks.

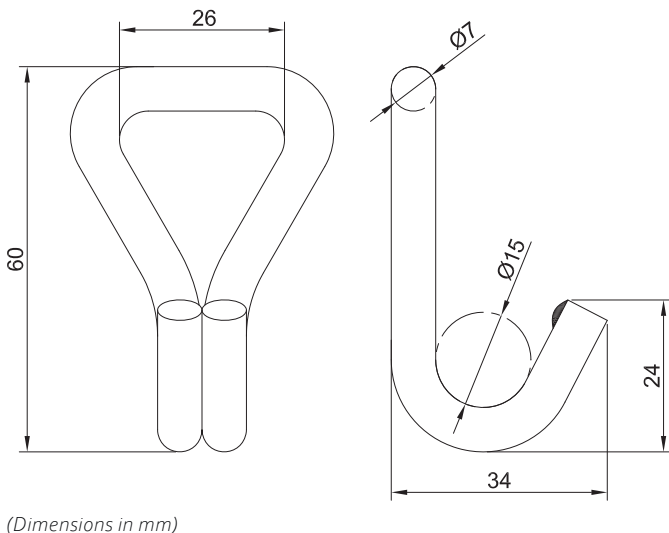
If your required end-fitting is not listed, please contact us for more information.

### 25 mm double J-hook WH2500 - LC 400 daN / MBL 800 daN



Art. No.	WH2500
MBL	800 daN
For webbing	25 mm
Packing	as per customer request

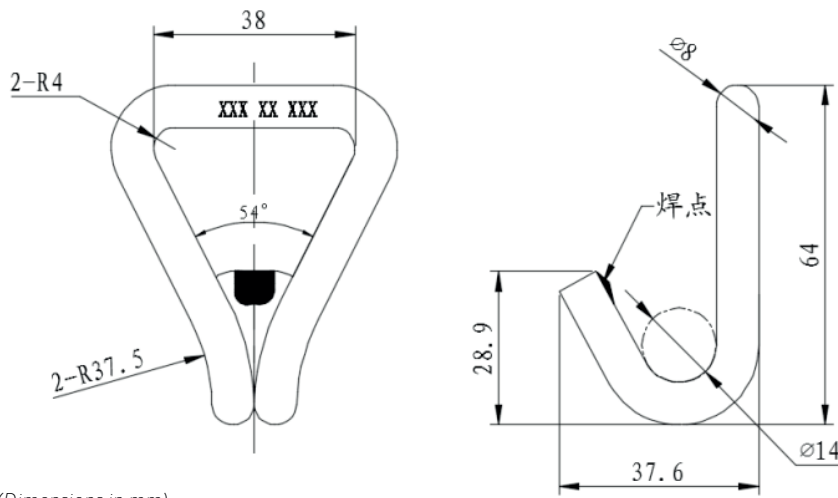
### 25 mm double J-hook WH2520 - LC 750 daN / MBL 1,500 daN



Art. No.	WH2520
MBL	1,500 daN
For webbing	25 mm
Packing	as per customer request



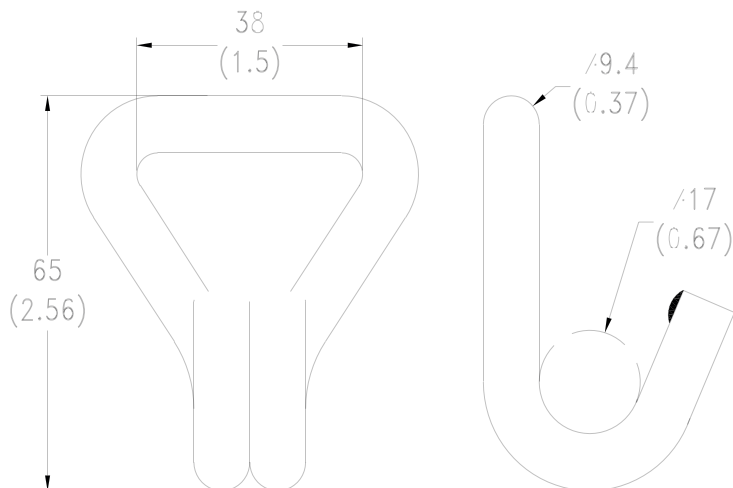
35 mm double J-hook WH5838 - LC 1,000 daN / MBL 2,000 daN



(Dimensions in mm)

Art. No.	WH5838
MBL	2,000 daN
For webbing	35 mm
Packing	as per customer request

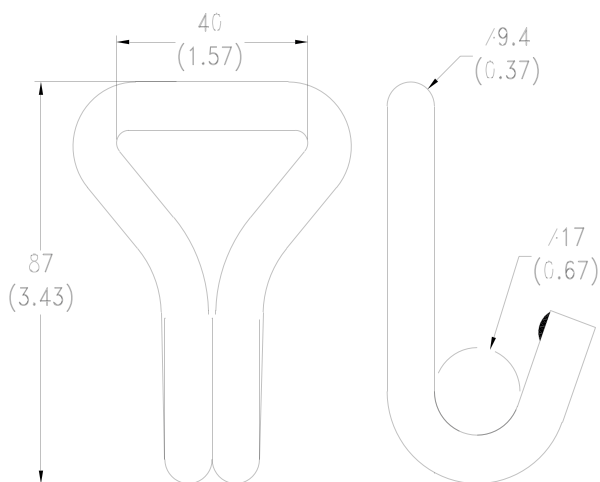
35 mm double J-hook WH2565 - LC 1,500 daN / MBL 3,000 daN



(Dimensions in mm)

Art. No.	WH2565
MBL	3,000 daN
For webbing	35 mm
Packing	as per customer request

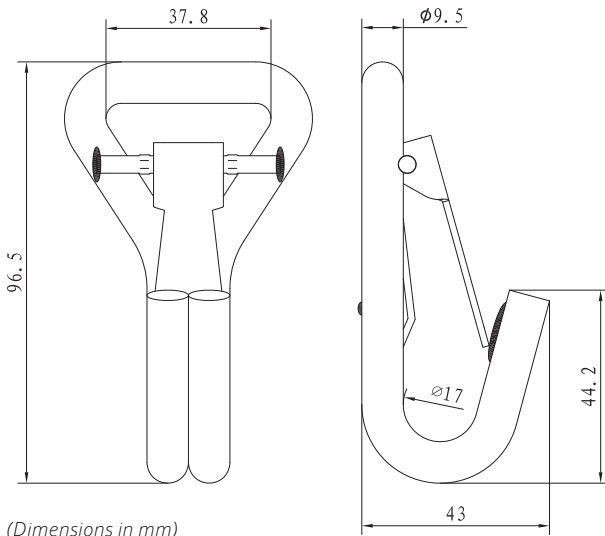
35 mm double J-hook WH2550 - LC 1,500 daN / MBL 3,000 daN



(Dimensions in mm)

Art. No.	WH2550
MBL	3,000 daN
For webbing	35 mm
Packing	as per customer request

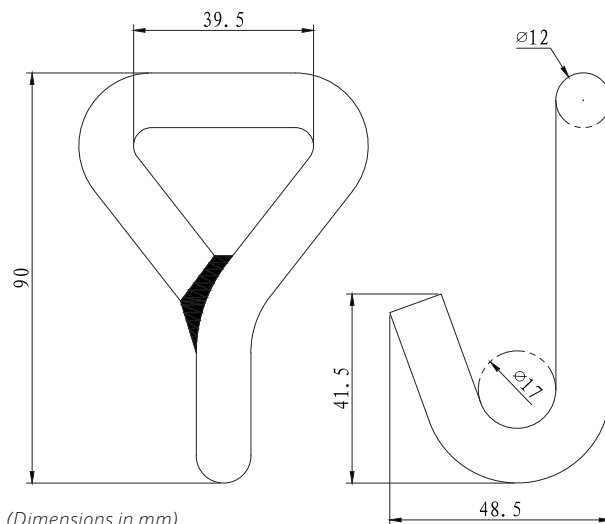
35 mm double J-hook with latch WH3896K - LC 1,500 daN / MBL 3,000 daN



(Dimensions in mm)

Art. No.	WH3896K
MBL	3,000 daN
For webbing	35 mm
Packing	as per customer request

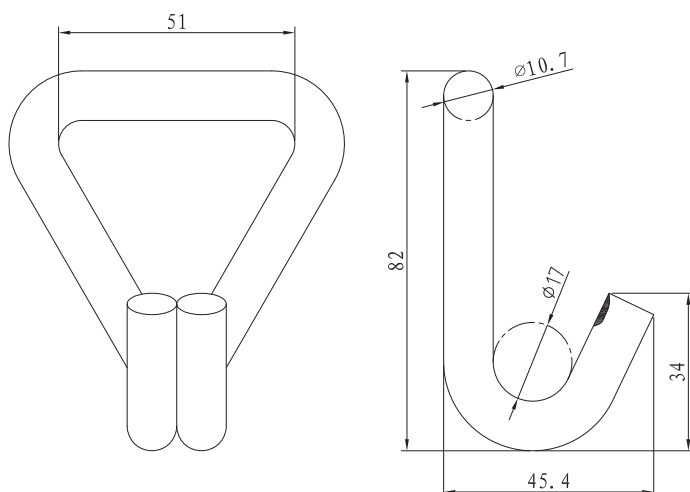
35 mm single J-hook WH5200 - LC 1,500 daN / MBL 3,000 daN



(Dimensions in mm)

Art. No.	WH5200
MBL	3,000 daN
For webbing	35 mm
Packing	as per customer request

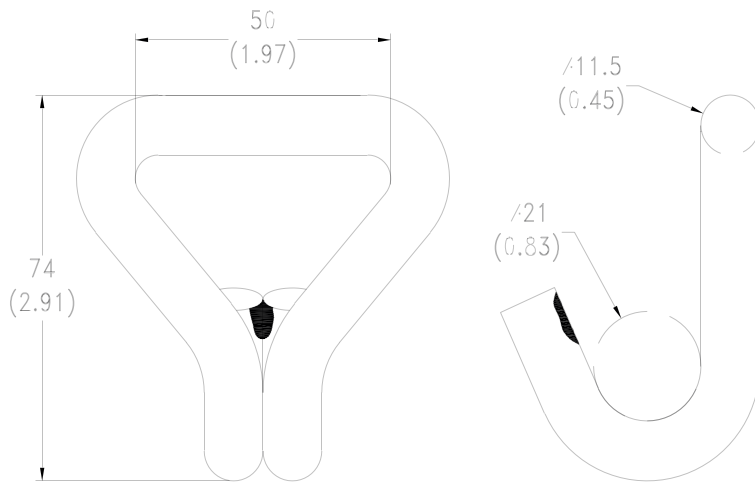
50 mm double J-hook WH5103 - LC 2,000 daN / MBL 4,000 daN



(Dimensions in mm)

Art. No.	WH5103
MBL	4,000 daN
For webbing	50 mm
Packing	as per customer request

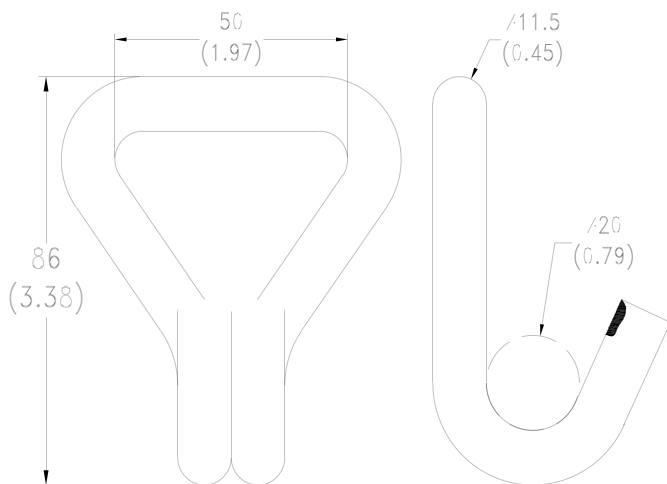
50 mm double J-hook WH5020S - LC 2,500 daN / MBL 5,000 daN



(Dimensions in mm)

Art. No.	WH5020S
MBL	5,000 daN
For webbing	50 mm
Packing	as per customer request

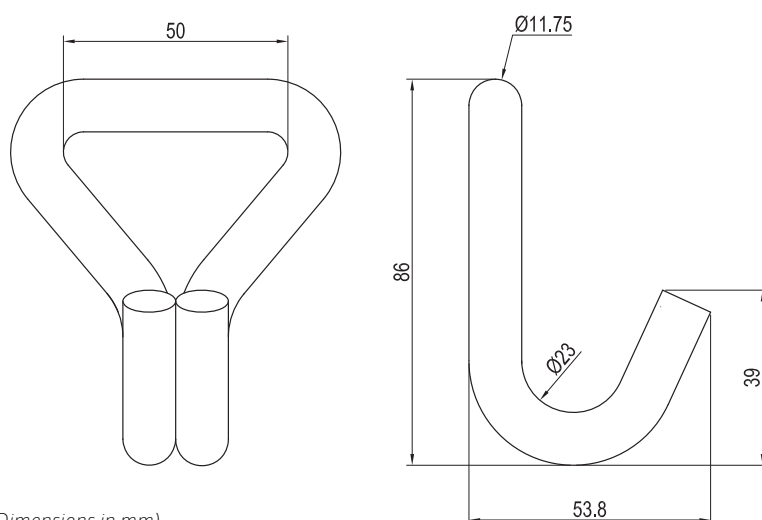
50 mm double J-hook WH5020 - LC 2,500 daN / MBL 5,000 daN



(Dimensions in mm)

Art. No.	WH5020
MBL	5,000 daN
For webbing	50 mm
Packing	as per customer request

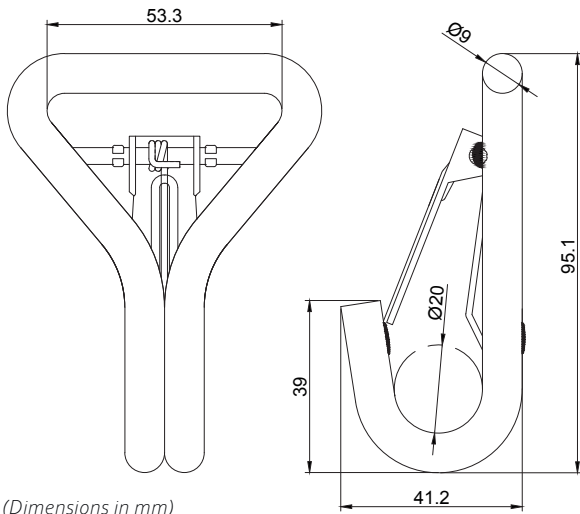
50 mm double J-hook WH5023 - LC 2,500 daN / MBL 5,000 daN



(Dimensions in mm)

Art. No.	WH5023
MBL	5,000 daN
For webbing	50 mm
Packing	as per customer request

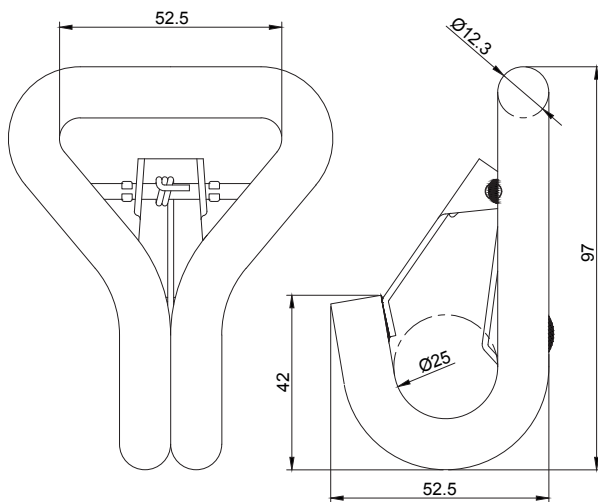
50 mm double J-hook with latch WH5041K - LC 1,000 daN / MBL 2,000 daN



(Dimensions in mm)

Art. No.	WH5041K
MBL	2,000 daN
For webbing	50 mm
Packing	as per customer request

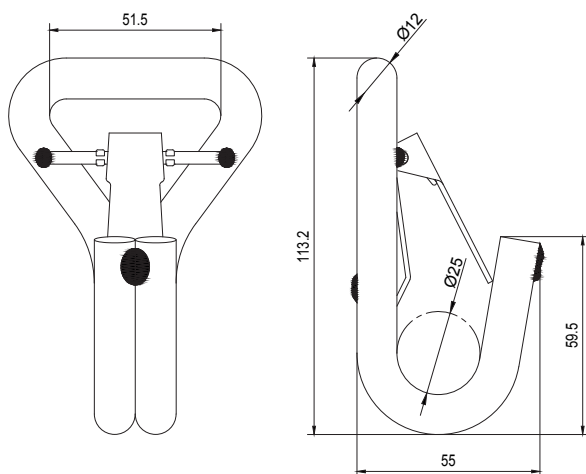
50 mm double J-hook with latch WH5030K - LC 2,500 daN / MBL 5,000 daN



(Dimensions in mm)

Art. No.	WH5030K
MBL	5,000 daN
For webbing	50 mm
Packing	as per customer request

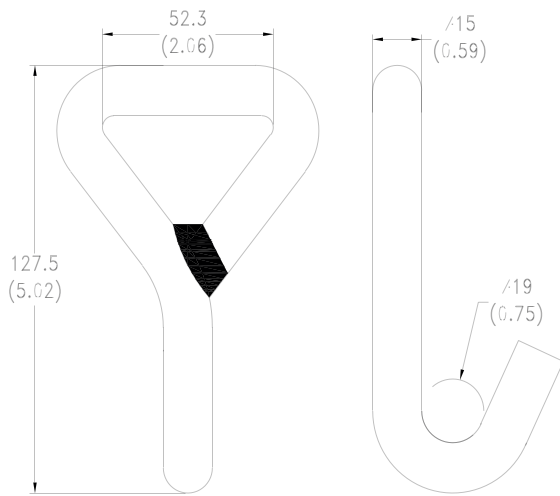
50 mm double J-hook with latch WH5030BK - LC 2,500 daN / MBL 5,000 daN



(Dimensions in mm)

Art. No.	WH5030BK
MBL	5,000 daN
For webbing	50 mm
Packing	as per customer request

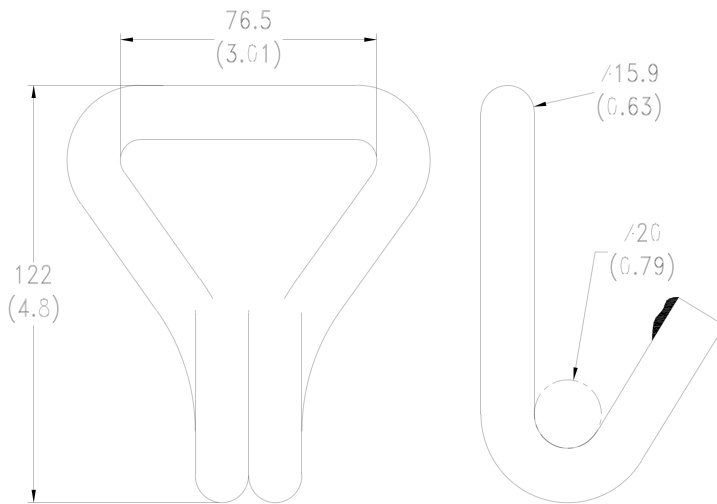
50 mm single J-hook WH5100 - LC 2,500 daN / MBL 5,000 daN



(Dimensions in mm)

Art. No.	WH5100
MBL	5,000 daN
For webbing	50 mm
Packing	as per customer request

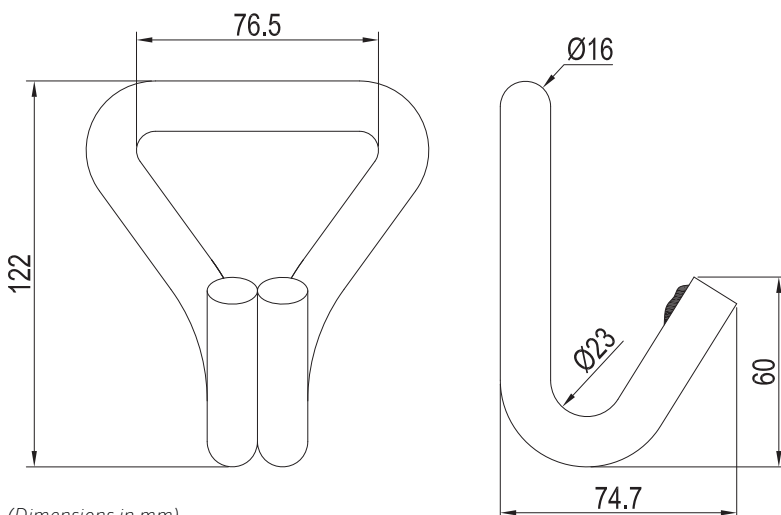
75 mm double J-hook WH3520 - LC 5,000 daN / MBL 10,000 daN



(Dimensions in mm)

Art. No.	WH3520
MBL	10,000 daN
For webbing	75 mm
Packing	as per customer request

75 mm double J-hook WH3523 - LC 5,000 daN / MBL 10,000 daN



(Dimensions in mm)

Art. No.	WH3523
MBL	10,000 daN
For webbing	75 mm
Packing	as per customer request

## RATCHET PARTS

We offer a wide range of ratchet parts with 25 mm, 35 mm, 50 mm and 75 mm webbing and minimum breaking loads up to 20 t.

Below a small selection of our most commonly sold types. If your required execution is not listed, please contact us. We offer a much wider selection of webbing, ratchets and fittings as listed in this catalog. We can offer all ratchet parts to comply with a wide range of international standards, for example EN12195-2 or based on achieving a certain MBL value (as most commonly used in the maritime sector).

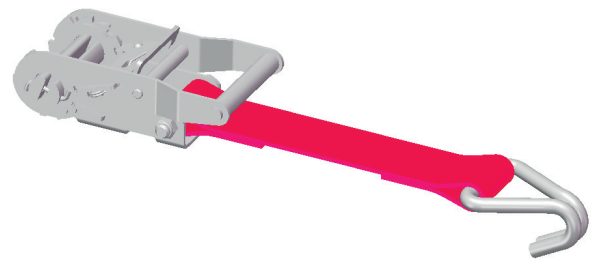
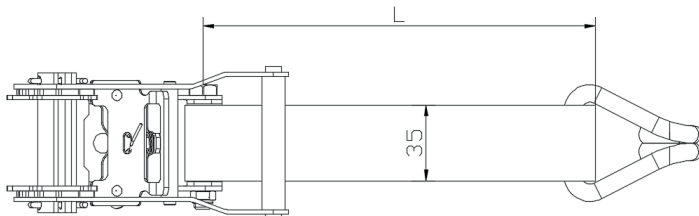
All ratchet parts can be supplied with:

- various types of double J-hooks (normal opening, big opening, with safety latch or without safety latch) or any other type of end fitting required
- a wide variety of webbing colours and customer printing
- additional loops

### 35 mm ratchet part with ratchet B560 - LC 1,000 daN / MBL 2,000 daN

A ratchet part consists of:

- 1x ratchet
- 1x short part webbing (normally 30, 40 or 50 cm long, can be adjusted based on your requirements)
- 1x double J hook

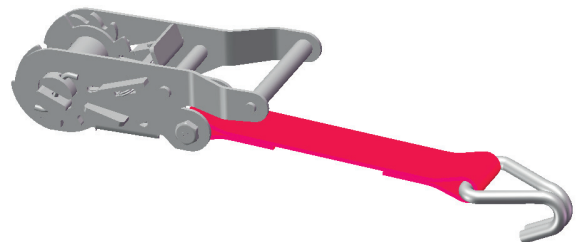
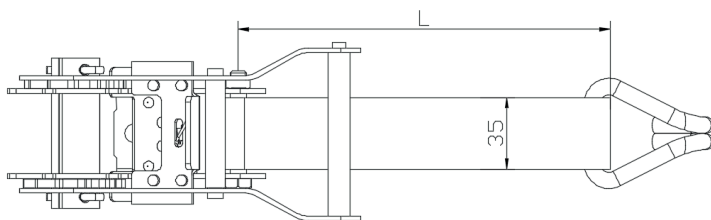


For webbing	35 mm
LC	1,000 daN
Ratchet type (Art. No.)	B560
STF	220 daN
Length short part webbing	30, 40 or 50 cm (or as per customer request)

### 35 mm ratchet part with ratchet B562 - LC 1,500 daN / MBL 3,000 daN

A ratchet part consists of:

- 1x ratchet
- 1x short part webbing (normally 30, 40 or 50 cm long, can be adjusted based on your requirements)
- 1x double J hook

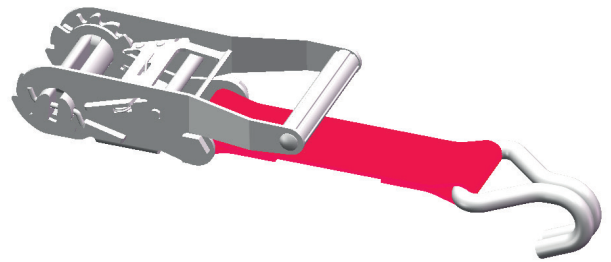
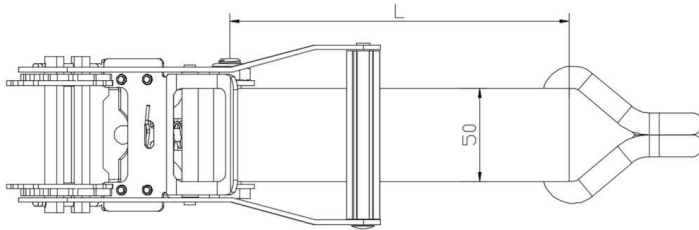


For webbing	35 mm
LC	1,500 daN
Ratchet type (Art. No.)	B562
STF	210 daN
Length short part webbing	30, 40 or 50 cm (or as per customer request)

**50 mm ratchet part with ratchet B550 - LC 2,500 daN / MBL 5,000 daN**

A ratchet part consists of:

- 1x ratchet
- 1x short part webbing (normally 40 or 50 cm long, can be adjusted based on your requirements)
- 1x double J hook

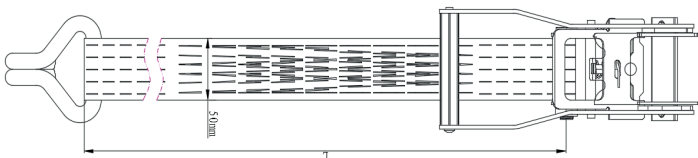


For webbing	50 mm
LC	2,500 daN
Ratchet type (Art. No.)	B550
STF	240 daN
Length short part webbing	40 cm or 50 cm (or as per customer request)

**50 mm ratchet part with ratchet B500-11T - LC 2,000 or 2,500 daN / MBL 5,000 daN**

A ratchet part consists of:

- 1x ratchet
- 1x short part webbing (normally 40 or 50 cm long, can be adjusted based on your requirements)
- 1x double J hook

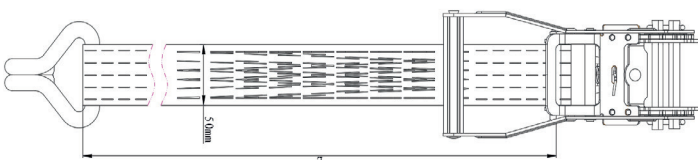


For webbing	50 mm
LC	2,000 or 2,500 daN
Ratchet type (Art. No.)	B500-11T
Teeth	11
STF	300 daN
Length short part webbing	40 cm or 50 cm (or as per customer request)

**50 mm ratchet part with ratchet B5013MA - LC 2,000 or 2,500 daN / MBL 5,000 daN**

A ratchet part consists of:

- 1x ratchet
- 1x short part webbing (normally 40 or 50 cm long, can be adjusted based on your requirements)
- 1x double J hook



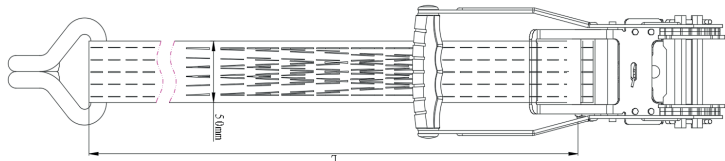
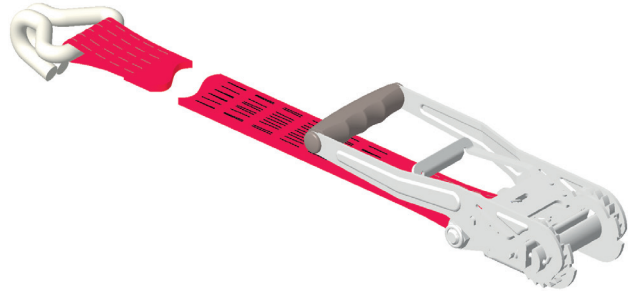
For webbing	50 mm
LC	2,000 or 2,500 daN
Ratchet type (Art. No.)	B5013MA
Teeth	13
STF	350 daN
Length short part webbing	40 cm or 50 cm (or as per customer request)



50 mm ratchet part with ratchet B5020KA - LC 2,000 or 2,500 daN / MBL 5,000 daN

A ratchet part consists of:

- 1x ratchet
- 1x short part webbing (normally 40 or 50 cm long, can be adjusted based on your requirements)
- 1x double J hook

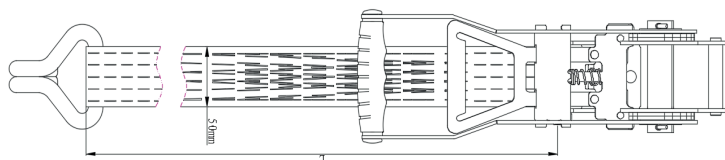


For webbing	50 mm
LC	2,000 or 2,500 daN
Ratchet type (Art. No.)	B5020KA
STF	500 daN
Length short part webbing	40 cm or 50 cm (or as per customer request)

50 mm ratchet part with ergo ratchet B501GR - LC 2,000 or 2,500 daN / MBL 5,000 daN

A ratchet part consists of:

- 1x ratchet
- 1x short part webbing (normally 40 or 50 cm long, can be adjusted based on your requirements)
- 1x double J hook

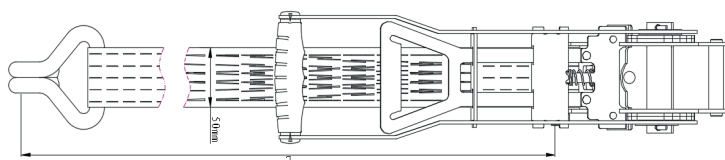


For webbing	50 mm
LC	2,000 or 2,500 daN
Ratchet type (Art. No.)	B501GR
STF	500 daN
Length short part webbing	40 cm or 50 cm (or as per customer request)

50 mm ratchet part with ergo ratchet B501HB - LC 2,000 or 2,500 daN / MBL 5,000 daN

A ratchet part consists of:

- 1x ratchet
- 1x short part webbing (normally 40 or 50 cm long, can be adjusted based on your requirements)
- 1x double J hook



For webbing	50 mm
LC	2,000 or 2,500 daN
Ratchet type (Art. No.)	B501HB
STF	650 daN
Length short part webbing	40 cm or 50 cm (or as per customer request)

## WEB LASHINGS

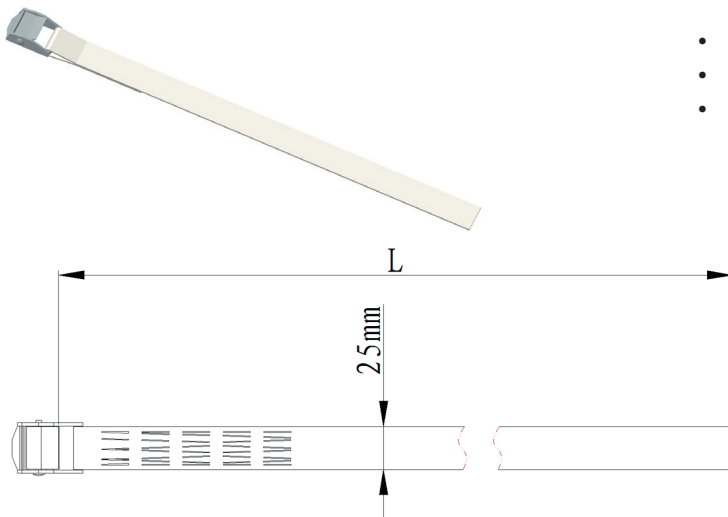
We offer a wide range of 1-part and 2-part web lashings with 25 mm, 35 mm, 50 mm and 75 mm webbing and minimum breaking loads up to 20 t.

Below a small selection of our most commonly sold types. If your required execution is not listed, please contact us. We offer a much wider selection of webbing, ratchets and fittings as listed in this catalog. We can offer all web lashings to comply with a wide range of international standards, for example EN12195-2 or based on achieving a certain MBL value (as most commonly used in the maritime sector).

All web lashings can be supplied with:

- various types of double J-hooks (normal opening, big opening, with safety latch or without safety latch) or any other type of end fitting required
- a wide variety of webbing colours and customer printing
- additional loops on one side or on both sides

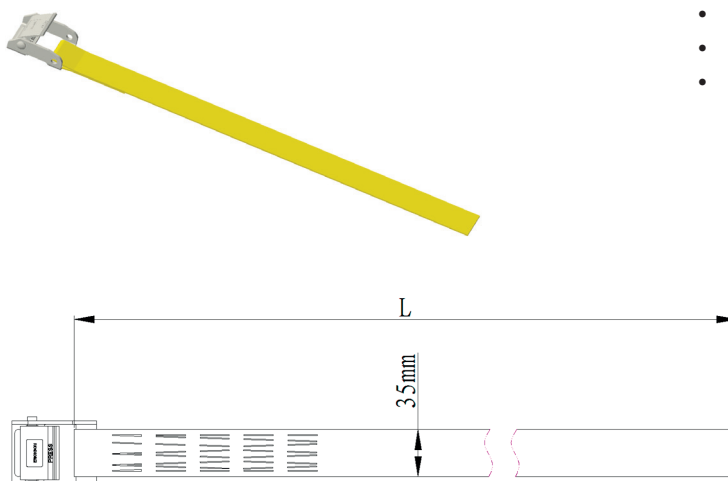
### 25 mm cam buckle lashings CAM52 / 53 / 58 - LC 250 / 300 / 450 daN



- Colours: blue, red, yellow, orange, green; more colours on request
- Label: one side stitched; with logo or other details available
- Print: letters / motives / logos are printable in black, special colours on request

Art. No.	CAM52 / CAM53 / CAM58
For webbing	25 mm
LC	250 / 300 / 450 daN
Execution	1-part cam buckle strap, length (m) on request
Elongation	< 7
MBL	500 / 600 / 900 daN
Standard	EN12195-2 or alternative based on required MBL

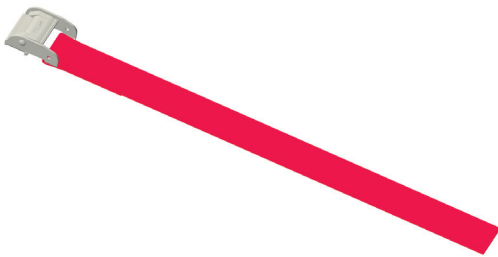
### 35 mm cam buckle lashing CAM40 - LC 700 daN



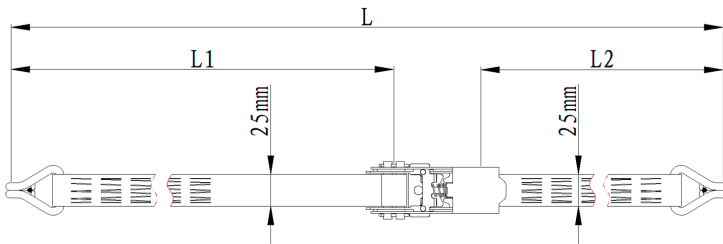
- Colours: blue, red, yellow, orange, green; more colours on request
- Label: one side stitched; with logo or other details available
- Print: letters / motives / logos are printable in black, special colours on request

Art. No.	CAM40
For webbing	35 mm
LC	700 daN
Execution	1-part cam buckle strap, length (m) on request
Elongation	< 7
MBL	1,400 daN
Standard	EN12195-2 or alternative based on required MBL

50 mm cam buckle lashings CAM30 / 31 / 32 - LC 1,250 / 1,000 / 1,000 daN

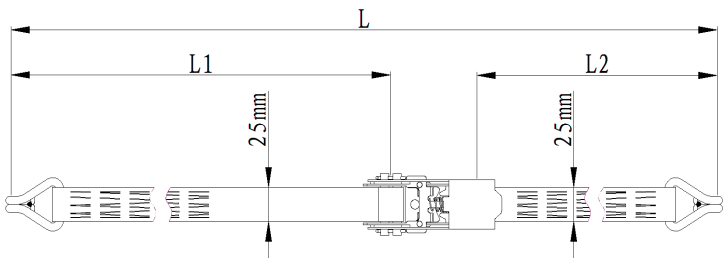
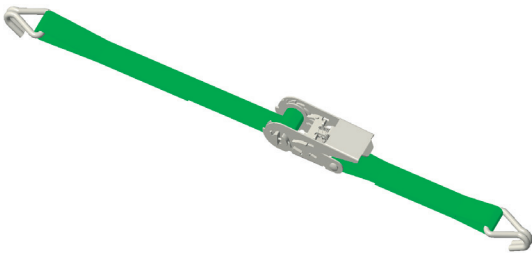


- Colours: blue, red, yellow, orange, green; more colours on request
- Label: one side stitched; with logo or other details available
- Print: letters / motives / logos are printable in black, special colours on request



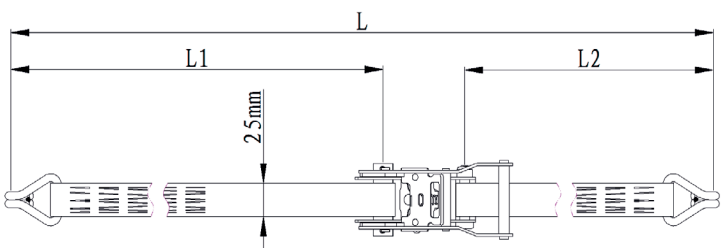
Art. No.	CAM30 / CAM31 / CAM32
For webbing	50 mm
LC	1,250 / 1,000 / 1,000 daN
Execution	1-part cam buckle strap, length (m) on request
Elongation	< 7
Standard	EN12195-2 or alternative based on required MBL

25 mm web lashing with ratchet B110K - LC 400 daN / MBL 800 daN



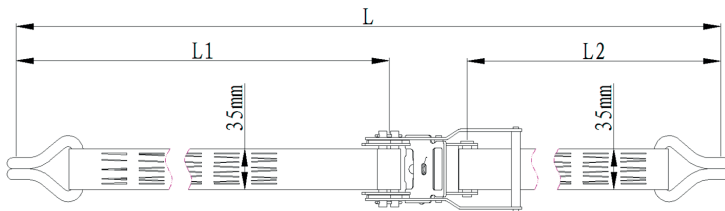
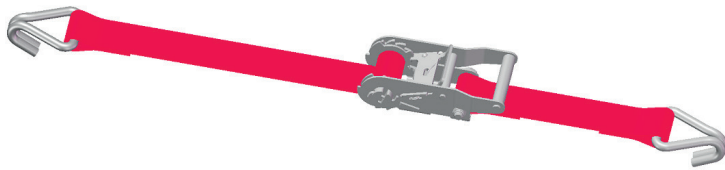
For webbing	25 mm
LC	400 daN (direct) or 800 daN (endless)
Ratchet type (Art. No.)	B110K
Execution	1-part endless or 2-part with DJ hooks or alternative end fittings, L, L1 and L2 as per customer request
MBL	800 daN (direct)
Standard	EN12195-2 or alternative based on required MBL

25 mm web lashing with ratchet B260N or B261 - LC 750 daN / MBL 1,500 daN



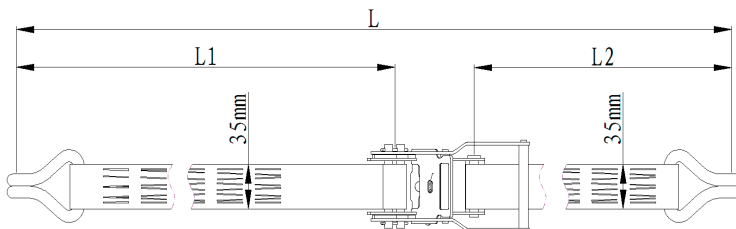
For webbing	25 mm
LC	750 daN (direct) or 1,500 daN (endless)
Ratchet type (Art. No.)	B260N or B261
Execution	1-part endless or 2-part with DJ hooks or alternative end fittings, L, L1 and L2 as per customer request
MBL	1,500 daN (direct)
Standard	EN12195-2 or alternative based on required MBL

35 mm web lashing with ratchet B560 - LC 1,000 daN / MBL 2,000 daN



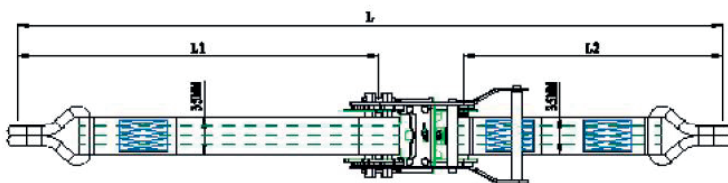
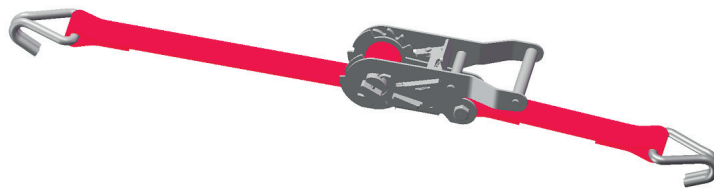
For webbing	35 mm
LC	1,000 daN (direct) or 2,000 daN (endless)
Ratchet type (Art. No.)	B560
Execution	1-part endless or 2-part with DJ hooks or alternative end fittings, L, L1 and L2 as per customer request
MBL	2,000 daN (direct)
Standard	EN12195-2 or alternative based on required MBL

35 mm web lashing with ratchet B561NW - LC 1,500 daN / MBL 3,000 daN



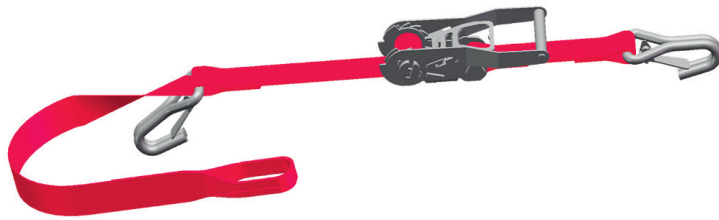
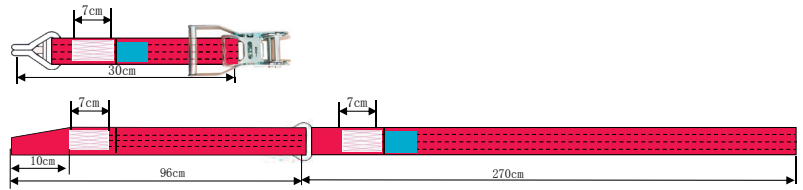
For webbing	35 mm
LC	1,500 daN (direct) or 3,000 daN (endless)
Ratchet type (Art. No.)	B561NW
Execution	1-part endless or 2-part with DJ hooks or alternative end fittings, L, L1 and L2 as per customer request
MBL	3,000 daN (direct)
Standard	EN12195-2 or alternative based on required MBL

35 mm web lashing with ratchet B562 - LC 1,500 daN / MBL 3,000 daN



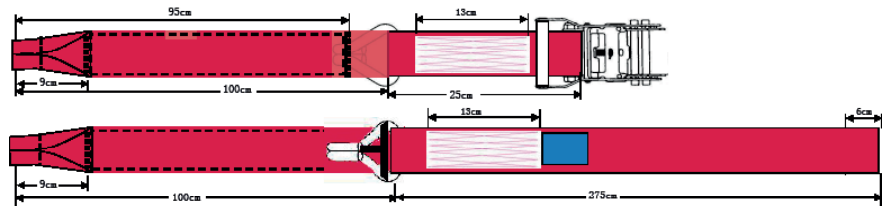
For webbing	35 mm
LC	1,500 daN (direct) or 3,000 daN (endless)
Ratchet type (Art. No.)	B562
Execution	1-part endless or 2-part with DJ hooks or alternative end fittings, L, L1 and L2 as per customer request
MBL	3,000 daN (direct)
Standard	EN12195-2 or alternative based on required MBL

35 mm web lashing with ratchet B3802, double J-hooks with latch and extra loop - LC 1,500 daN / MBL 3,000 daN



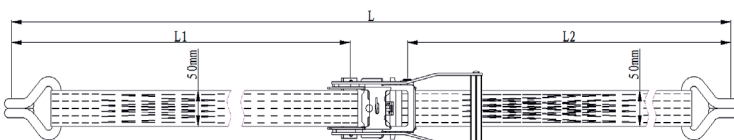
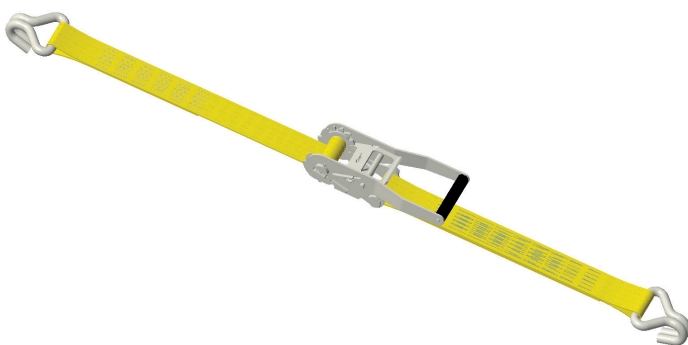
For webbing	35 mm
LC	1,500 daN
Ratchet type (Art. No.)	B3802
Execution	2-part with DJ hooks with safety latch and extra loop; L, L1 and L2 and loop as per customer request
MBL	3,000 daN (direct)
Standard	EN12195-2 or alternative based on required MBL

50 mm web lashing with ratchet B530, DJ hooks with latch and extra loop - LC 1,000 daN / MBL 2,000 daN



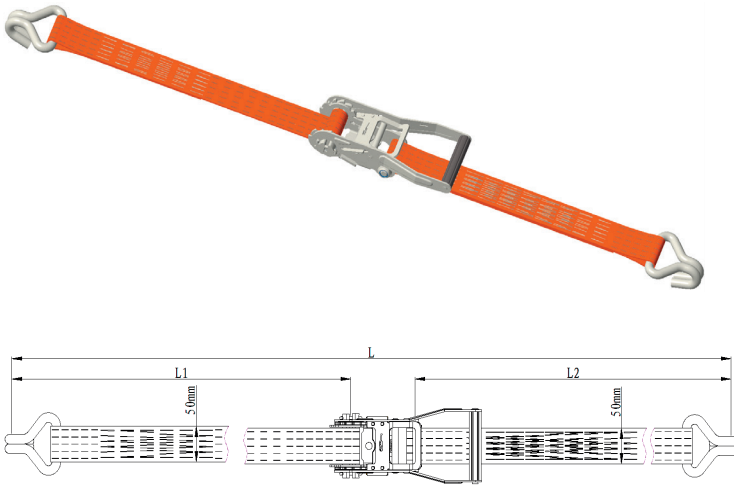
For webbing	50 mm
LC	1,000 daN (direct)
Ratchet type (Art. No.)	B530
Execution	2-part with DJ hooks with safety latch and extra loop; L, L1 and L2 and loop as per customer request
MBL	2,000 daN (direct)
Standard	EN12195-2 or alternative based on required MBL

50 mm web lashing with ratchet B500-11T - LC 2,000 or 2,500 daN / MBL 5,000 daN



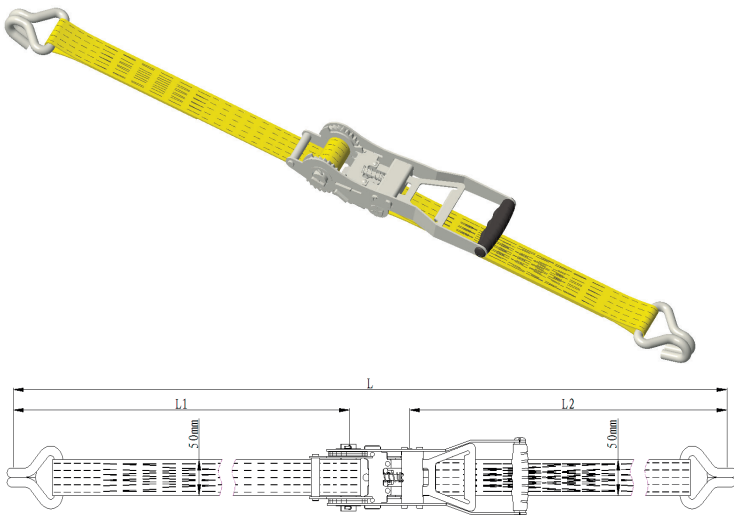
For webbing	50 mm
LC	2,500 daN (direct) or 5,000 daN (endless)
Ratchet type (Art. No.)	B500-11T
Execution	1-part endless or 2-part with DJ hooks or alternative end fittings, L, L1 and L2 as per customer request
MBL	5,000 daN (direct)
Standard	EN12195-2 or alternative based on required MBL

50 mm web lashing with ratchet B5013MA - LC 2,000 or 2,500 daN / MBL 5,000 daN



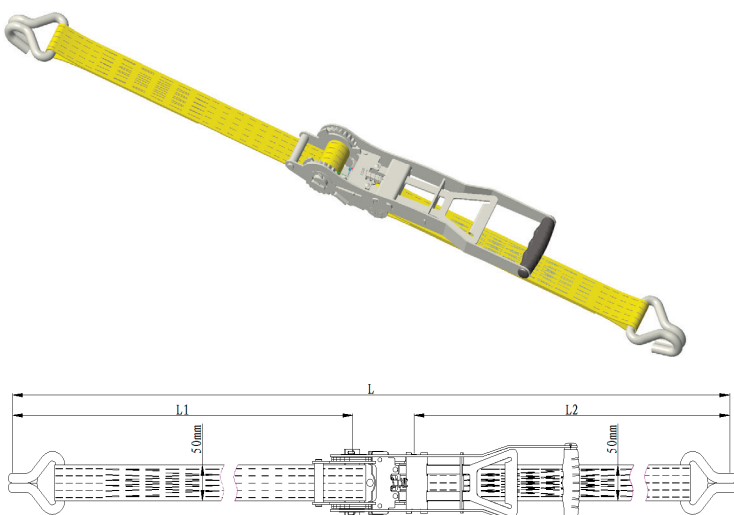
For webbing	50 mm
LC	2,500 daN (direct) or 5,000 daN (endless)
Ratchet type (Art. No.)	B5013MA
Execution	1-part endless or 2-part with DJ hooks or alternative end fittings, L, L1 and L2 as per customer request
MBL	5,000 daN (direct)
Standard	EN12195-2 or alternative based on required MBL

50 mm web lashing with ergo ratchet B501GR - LC 2,000 or 2,500 daN / MBL 5,000 daN



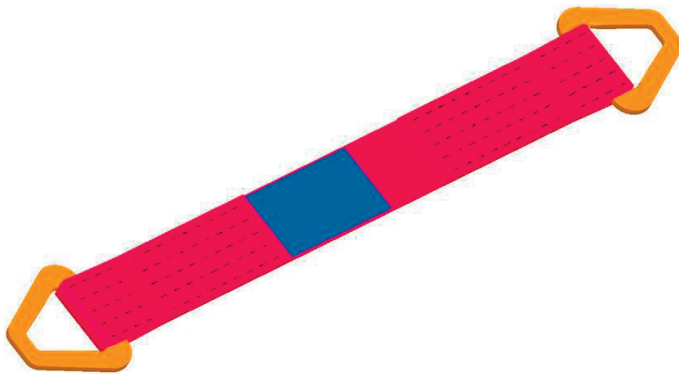
For webbing	50 mm
LC	2,500 daN (direct) or 5,000 daN (endless)
Ratchet type (Art. No.)	B501GR
Execution	1-part endless or 2-part with DJ hooks or alternative end fittings, L, L1 and L2 as per customer request
MBL	5,000 daN (direct)
Standard	EN12195-2 or alternative based on required MBL

50 mm web lashing with ergo ratchet B501HB - LC 2,000 or 2,500 daN / MBL 5,000 daN



For webbing	50 mm
LC	2,500 daN (direct) or 5,000 daN (endless)
Ratchet type (Art. No.)	B501HB
Execution	1-part endless or 2-part with DJ hooks or alternative end fittings, L, L1 and L2 as per customer request
MBL	5,000 daN (direct)
Standard	EN12195-2 or alternative based on required MBL

50 mm extension loop with both sides delta plate - LC 2,500 daN / MBL 5,000 daN



For webbing	50 mm
LC	2,500 daN (direct)
Ratchet type (Art. No.)	---
Execution	extension loop with with both sides delta plate
MBL	5,000 daN (direct)
Standard	EN12195-2 or alternative based on required MBL

50 mm web lashing with ratchet B5013MA and forged hooks - LC 6,000 daN / MBL 12,000 daN



For webbing	50 mm
LC	6,000 daN
Ratchet type (Art. No.)	B5013MA with MBL 6,000 daN
Execution	2-part with forged hooks, L, L1 and L2 as per customer request
MBL	12,000 daN (direct)
Standard	EN12195-2 or alternative based on required MBL

50 mm web lashing with ratchet B5013MA and forged hook & elephant foot - LC 6,000 daN / MBL 12,000 daN



For webbing	50 mm
LC	6,000 daN
Ratchet type (Art. No.)	B5013MA with MBL 6,000 daN
Execution	2-part with forged hook & elephant foot, L, L1 and L2 as per customer request
MBL	12,000 daN (direct)
Standard	EN12195-2 or alternative based on required MBL

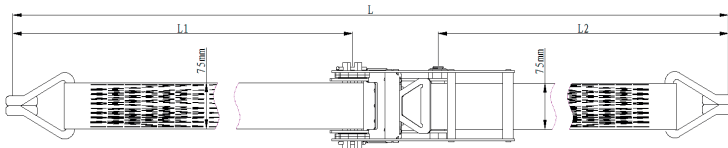
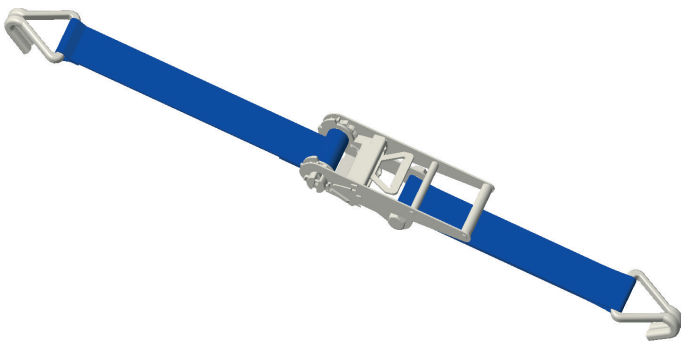


50 mm web lashing with ratchet B5013MA and extra loop - LC 2,500 or 3,000 daN / MBL 5,000 or 6,000 daN



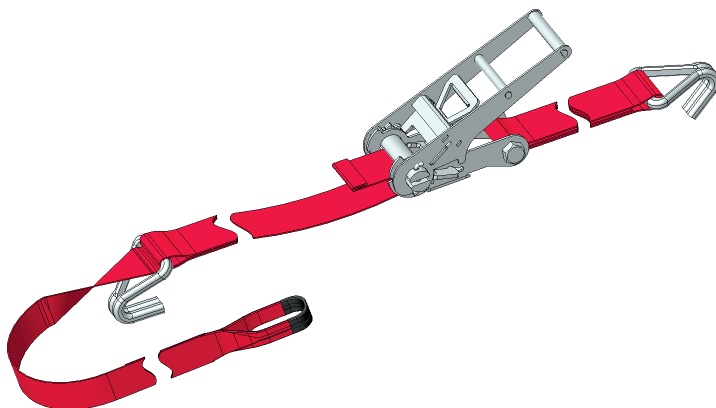
For webbing	50 mm
LC	2,500 or 3,000 daN
Ratchet type (Art. No.)	B5013MA with MBL 5,000 or 6,000 daN
Execution	2-part with DJ hooks and extra loop, L, L1 and L2 and loop as per customer request
MBL	5,000 or 6,000 daN (direct)
Standard	EN12195-2 or alternative based on required MBL

75 mm web lashing with ratchet B750 - LC 5,000 daN / MBL 10,000 daN



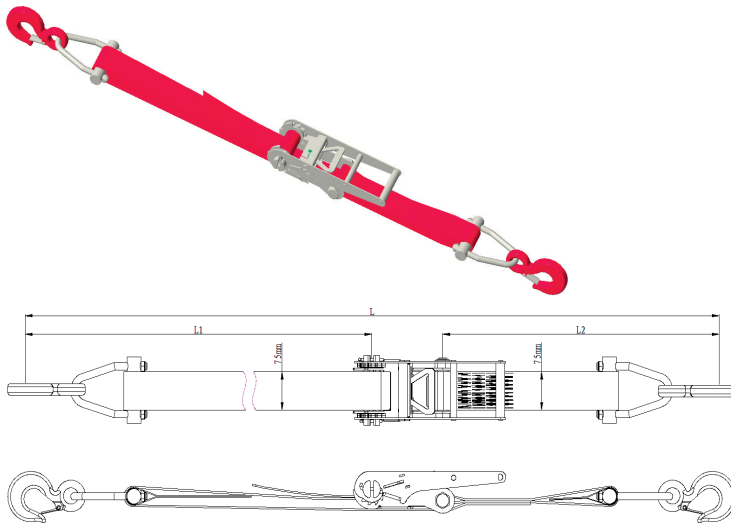
For webbing	75 mm
LC	5,000 daN (direct) or 10,000 daN (endless)
Ratchet type (Art. No.)	B750
Execution	1-part endless or 2-part with DJ hooks or alternative end fittings, L, L1 and L2 as per customer request
MBL	10,000 daN (direct)
Standard	EN12195-2 or alternative based on required MBL

75 mm web lashing with ratchet B750 and extra loop - LC 5,000 daN / MBL 10,000 daN



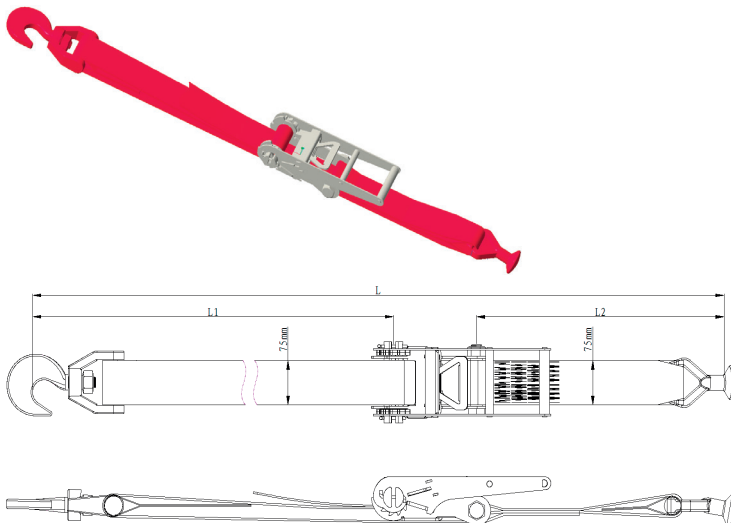
For webbing	75 mm
LC	5,000 daN (direct) or 10,000 daN (endless)
Ratchet type (Art. No.)	B750
Execution	2-part with DJ hooks and extra loop, L, L1 and L2 as per customer request
MBL	10,000 daN (direct)
Standard	EN12195-2 or alternative based on required MBL

75 mm 2-layer web lashing with ratchet B750 - LC 10,000 daN / MBL 20,000 daN



For webbing	75 mm
LC	10,000 daN (direct)
Ratchet type (Art. No.)	B750
Execution	with various end fittings, L, L1 and L2 as per customer request
MBL	20,000 daN (direct)
Standard	EN12195-2 or alternative based on required MBL

75 mm 2-layer web lashing with ratchet B750 - LC 10,000 daN / MBL 20,000 daN



For webbing	75 mm
LC	10,000 daN (direct)
Ratchet type (Art. No.)	B750
Execution	with various end fittings, L, L1 and L2 as per customer request
MBL	20,000 daN (direct)
Standard	EN12195-2 or alternative based on required MBL

## PROTECTION SLEEVES

We offer two types of protection sleeves for web lashings.

The standard PVC type is available for 35, 50, 75 and 100 mm webbing.

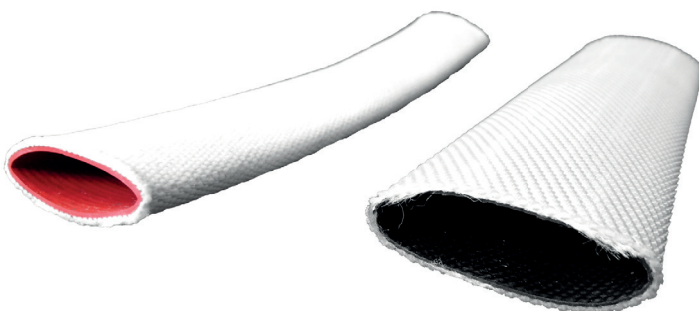
The stronger PES type is available for 35 mm webbing (MOQ 4000 meter) and for 50 mm webbing.

### Protection sleeve - PVC - red / blue



Material	PVC (standard colours: red, blue, green, yellow)
Width (outside)	40 mm type for 35 mm webbing
	60 mm type for 50 mm webbing
	80 mm type for 75 mm webbing
	120 mm type for 100 mm webbing
Remark	other sizes or colours on request

### Protection sleeve - PES - white



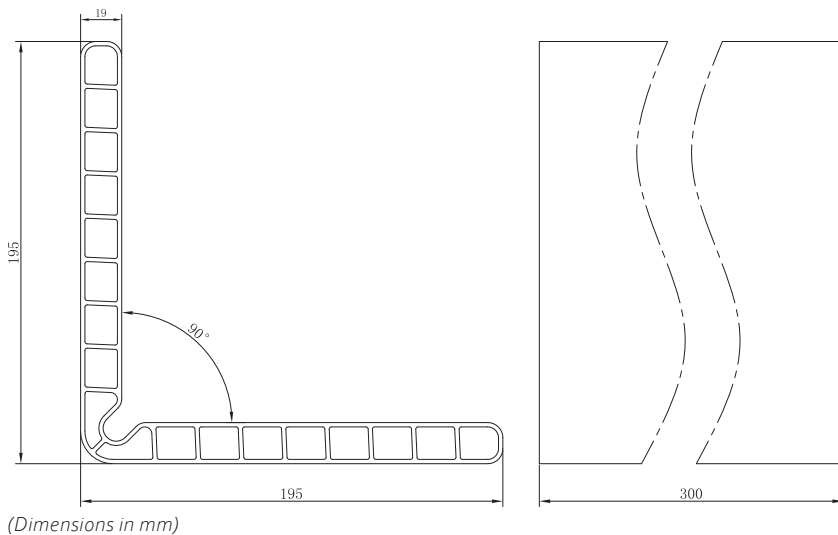
Material	outside: webbing PES / inside: rubber
Width (outside)	47 mm type for 35 mm webbing (MOQ 4,000 m)
	67 mm type for 50 mm webbing

## CORNER PROTECTORS

We offer a wide range of corners protectors for most of your needs.

If your required type is not listed, please contact us for advise.

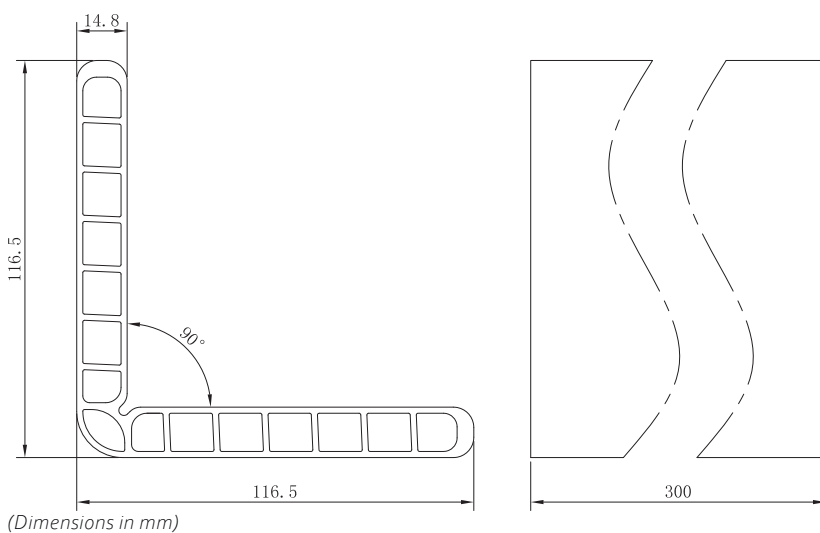
### Corner protector PCP-2403



Art. No. PCP-2403

The corner protectors are available in any required length up to 5.8 m long

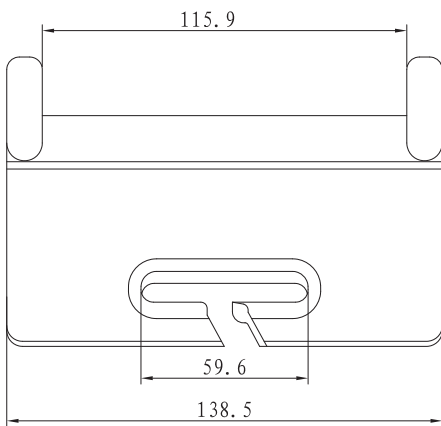
### Corner protector PCP-2503



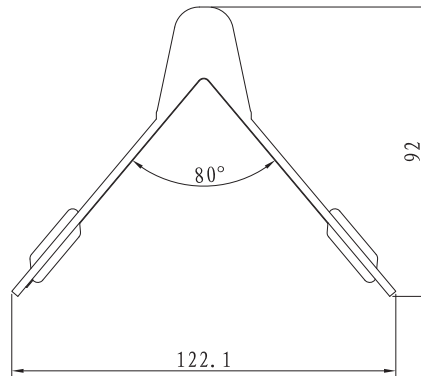
Art. No. PCP-2503

The corner protectors are available in any required length up to 5.8 m long

PE corner protector PCP-4 for webbing up to 50 mm

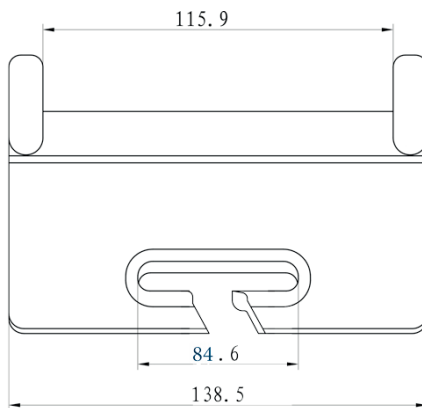


(Dimensions in mm)

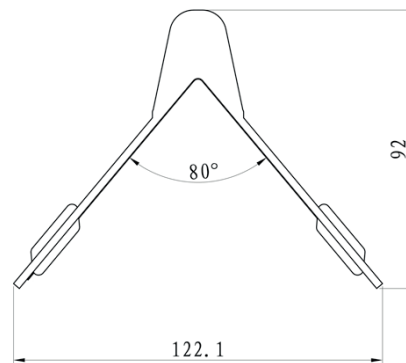


Art. No.	PCP-4
Simple black or white PE corner protector for webbing up to 50 mm	
Weight	7.6 kg / carton
Packing	100 pcs / carton

PE corner protector PCP-4C for webbing up to 75 mm

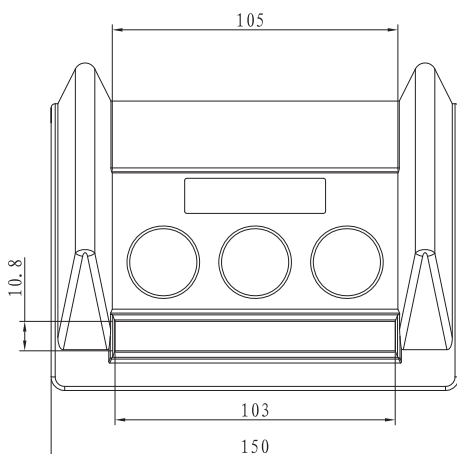


(Dimensions in mm)

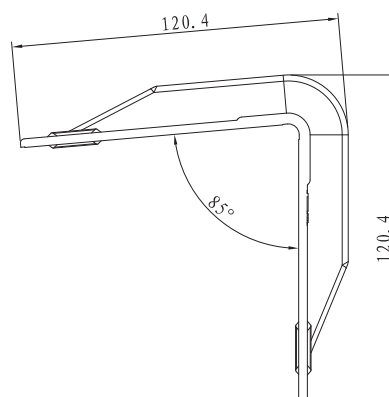


Art. No.	PCP-4C
Simple black or white PE corner protector for webbing up to 75 mm	
Weight	7.6 kg / carton
Packing	100 pcs / carton

Corner protector PCP-3A for webbing up to 100 mm

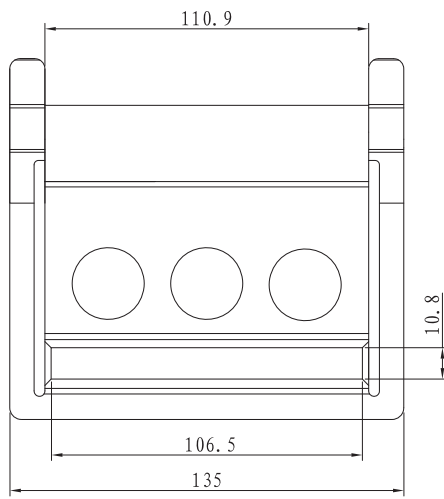


(Dimensions in mm)

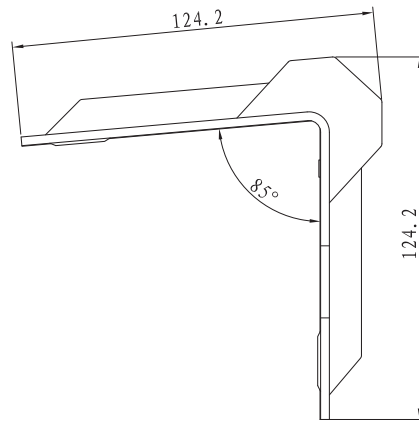


Art. No.	PCP-3A
White corner protector for webbing up to 100 mm	
Weight	10.7 kg / carton
Packing	120 pcs / carton

**Corner protector PCP-3 for webbing up to 100 mm**

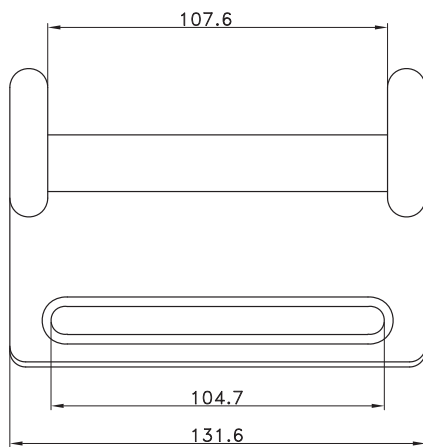


(Dimensions in mm)

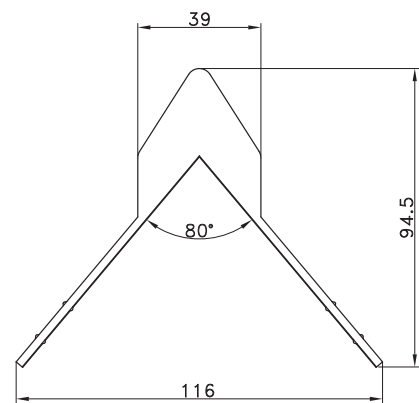


Art. No.	PCP-3
Blue corner protector for webbing up to 100 mm	
Weight	4.5 kg / carton
Packing	50 pcs / carton

**Corner protector PCP-5 for webbing up to 100 mm**

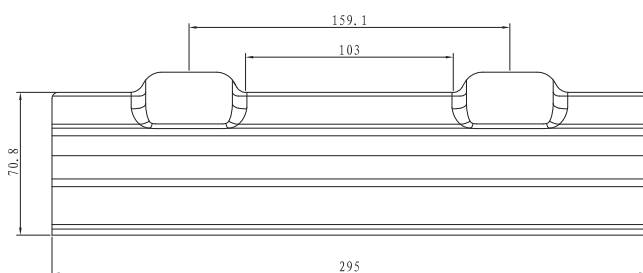


(Dimensions in mm)

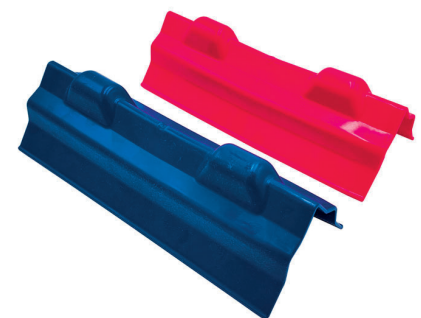
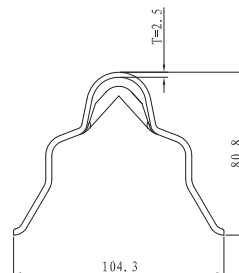


Art. No.	PCP-5
White corner protector for webbing up to 100 mm	
Weight	6.2 kg / carton
Packing	80 pcs / carton

**Corner protector PCP-2 for webbing up to 100 mm**

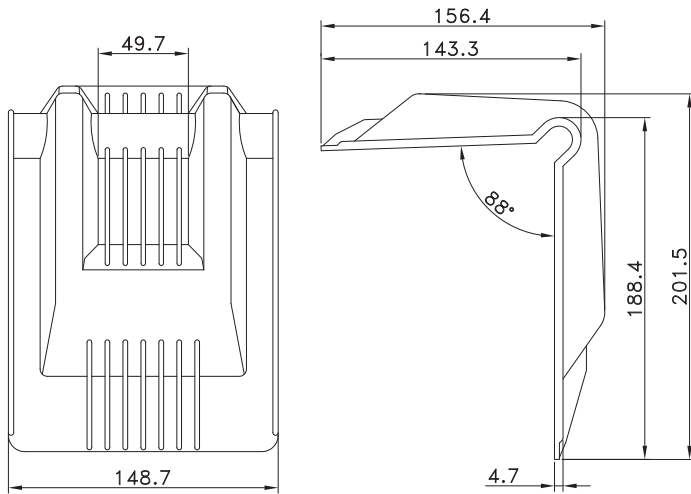


(Dimensions in mm)



Art. No.	PCP-2
Red or blue corner protector for webbing up to 100 mm	
Weight	9.4 kg / carton
Packing	50 pcs / carton

**Corner protector PCP-156 for webbing up to 50 mm**

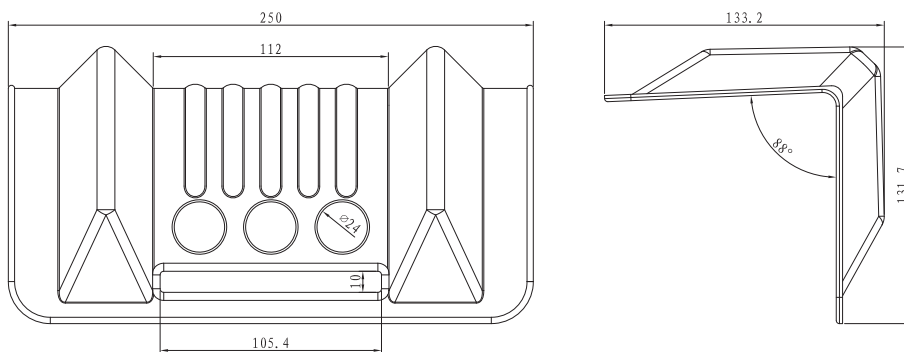


(Dimensions in mm)



Art. No.	PCP-156
Black corner protector for webbing up to 50 mm	
Weight	3,5 kg / carton
Packing	15 pcs / carton

**Corner protector PCP-272 for webbing up to 100 mm**

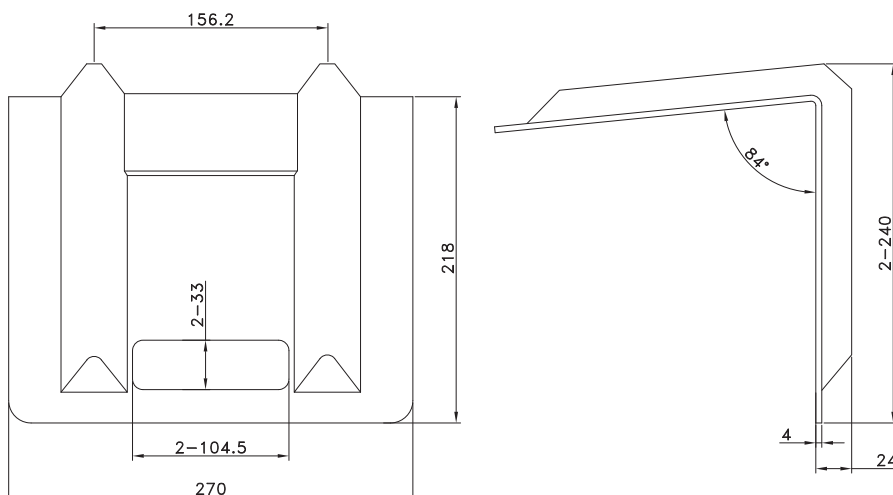


(Dimensions in mm)

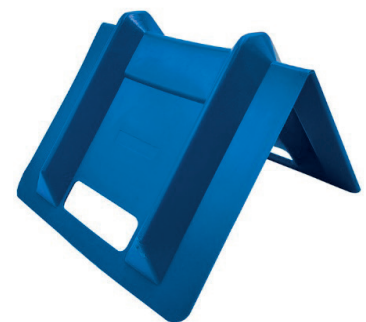


Art. No.	PCP-272
Blue corner protector for webbing up to 100 mm	
Weight	16,5 kg / carton
Packing	100 pcs / carton

**Corner protector PCP-1A for webbing up to 100 mm**



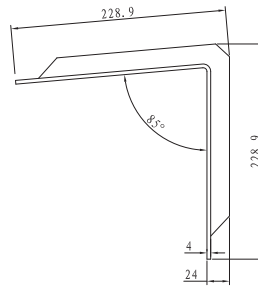
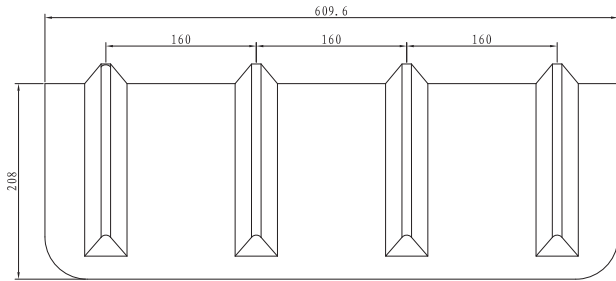
(Dimensions in mm)



Art. No.	PCP-1A
Blue corner protector for webbing up to 100 mm	
Weight	11,5 kg / carton
Packing	30 pcs / carton



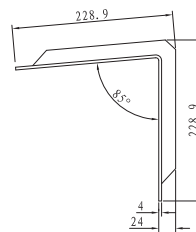
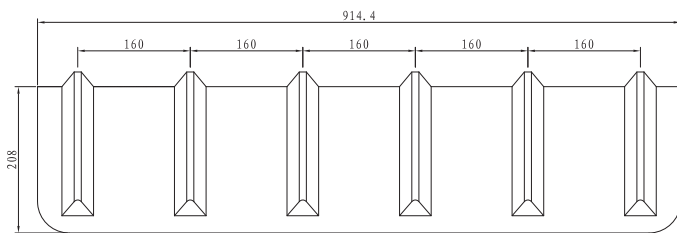
### Corner protector PCP-240



(Dimensions in mm)

Art. No.	PCP-240
Blue corner protector	
Weight	11.0 kg / carton
Packing	10 pcs / carton

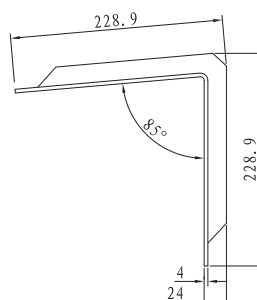
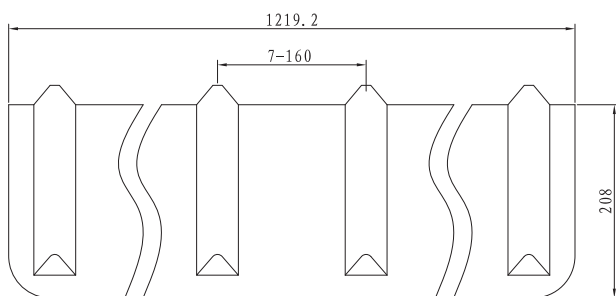
### Corner protector PCP-360



(Dimensions in mm)

Art. No.	PCP-360
Blue corner protector	
Weight	32.2 kg / carton
Packing	20 pcs / carton

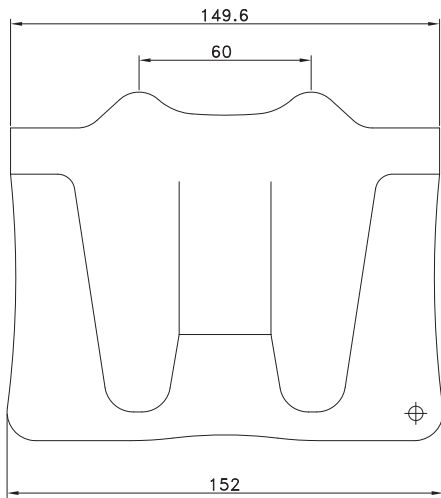
### Corner protector PCP-480



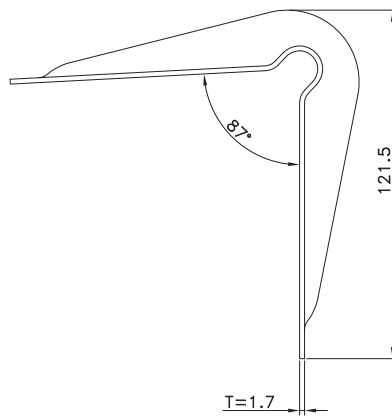
(Dimensions in mm)

Art. No.	PCP-480
Blue corner protector	
Weight	2.4 kg / piece
Packing	loose

**Steel corner protector PCP-12N for webbing up to 100 mm**

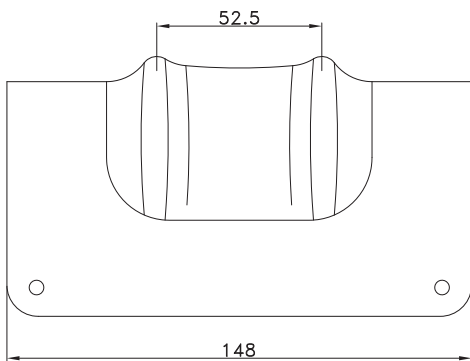


(Dimensions in mm)

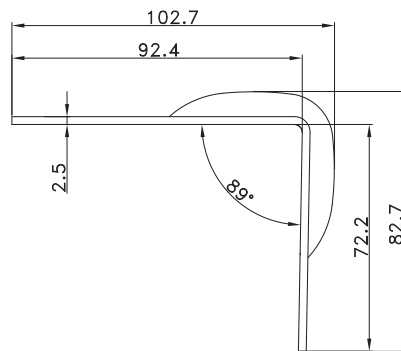


Art. No.	PCP-12N
Steel corner protector for webbing up to 100 mm	
Weight	25.5 kg / carton
Packing	50 pcs / carton

**Steel corner protector PCP-14N for webbing up to 50 mm**

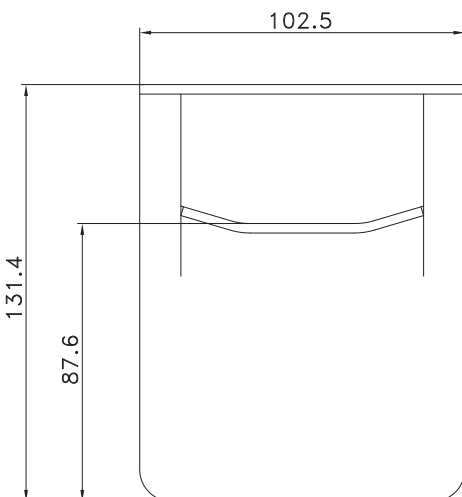


(Dimensions in mm)

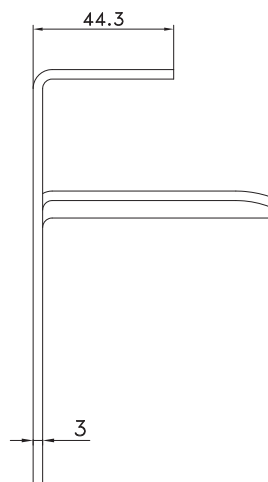


Art. No.	PCP-14N
Steel corner protector for webbing up to 50 mm	
Weight	14.5 kg / carton
Packing	30 pcs / carton

**Steel corner protector PCP-17 for webbing up to 75 mm**

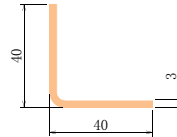
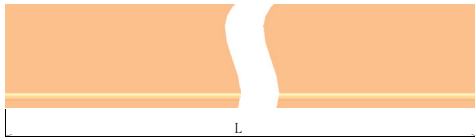


(Dimensions in mm)



Art. No.	PCP-17
Steel corner protector for webbing up to 75 mm	
Weight	16.3 kg / carton
Packing	40 pcs / carton

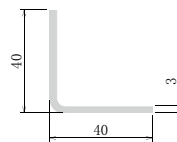
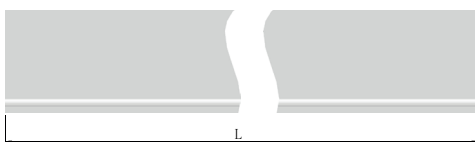
**Carton corner protector 40 x 40 x 3 mm**



(Dimensions in mm)

Carton corner protector 40 x 40 x 3 mm
   
 Length (L) as per customer requirement

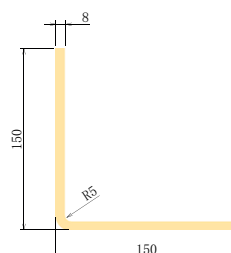
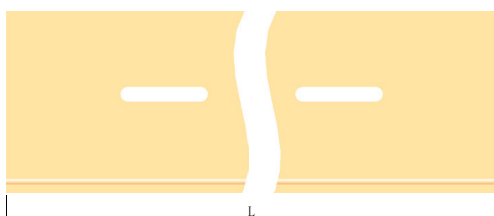
**Carton corner protector 40 x 40 x 3 mm with extra foil for humid circumstances**



(Dimensions in mm)

Carton corner protector 40 x 40 x 3 mm with
   
 extra foil for humid circumstances
   
 Length (L) as per customer requirement

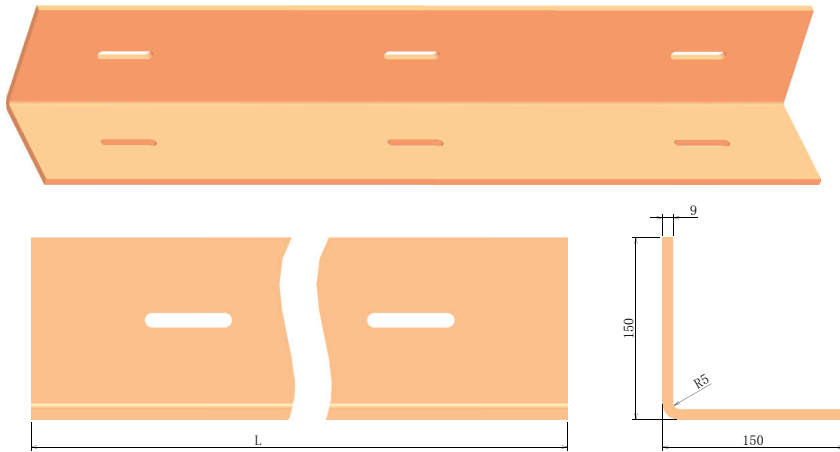
**Carton corner protector 150 x 150 x 8 mm with sleeves**



(Dimensions in mm)

Carton corner protector 150 x 150 x 8 mm with
   
 sleeves to keep webbing in place when loading
   
 containers
   
 Length (L) as per customer requirement

### Carton corner protector 150 x 150 x 9 mm with sleeves



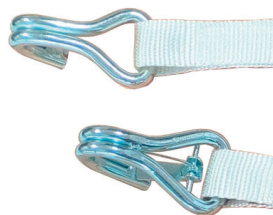
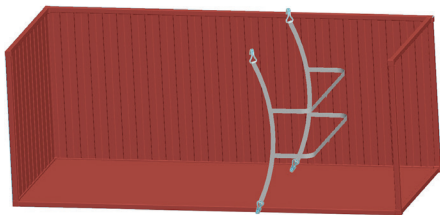
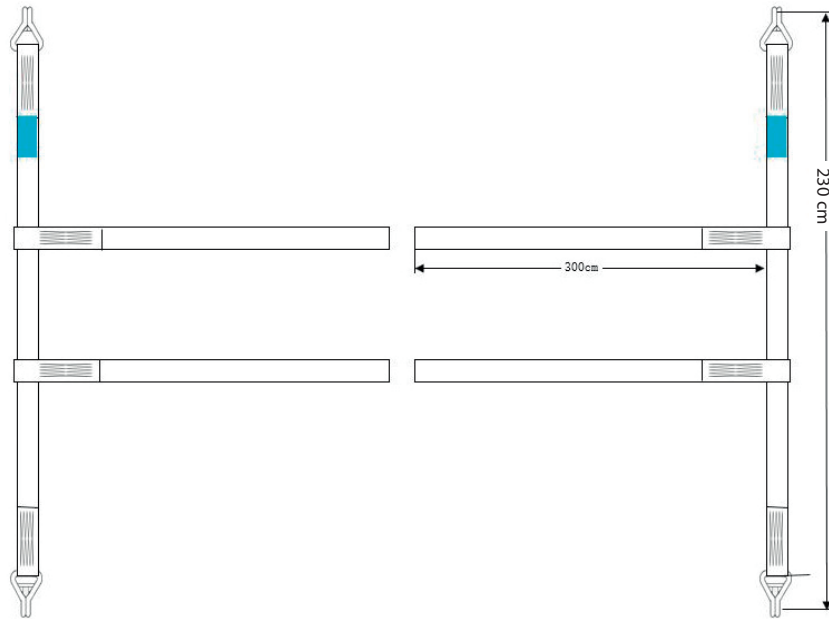
(Dimensions in mm)



Carton corner protector 150 x 150 x 9 mm with sleeves to keep webbing in place when loading containers

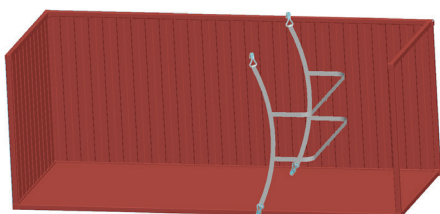
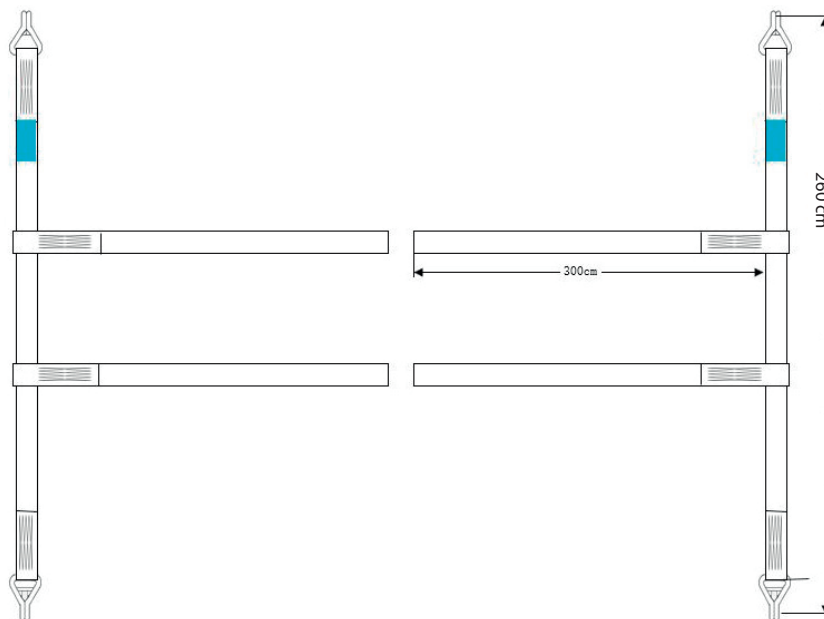
Length (L) as per customer requirement

### Container securing nets for standard containers



- Nets made from 32mm MBL 2300daN webbing
- Bottom side: hooks with latch
- Top side: hooks without latch (with latch on request)
- Height (hook-hook) 2,3 meter for standard containers
- Each net with 2 sets (4 pcs) free-moving horizontal webbing straps with each 3 meter length
- Lashing buckles on request available

### Container securing nets for high cube containers



- Nets made from 32mm MBL 2300daN webbing
- Bottom side: hooks with latch
- Top side: hooks without latch (with latch on request)
- Height (hook-hook) 2,6 meter for high cube containers
- Each net with 2 sets (4 pcs) free-moving horizontal webbing straps with each 3 meter length
- Lashing buckles on request available

## ANTI SLIP MATS

We can supply various different types of anti-slip mats or full rubber mats. Most types can be supplied either as pads, stripes, rolls or sheets.

Here are indicated our most common ones, other types are available on request.

Our anti-slip mats can achieve a coefficient of sliding friction of more than  $0.8\mu$  with optimal material pairing. Attention: a value of  $0.6\mu$  should be the base for calculations as coefficient of sliding friction for loading securing, according to VDI terms of reference and we don't publish generalised and uncommented coefficients of sliding friction. The coefficient of sliding friction of a friction-increasing surface depends on the combination of materials involved, the temperature, the condition of the material surfaces and the anti-slip mat (soiling, moisture, etc.). The contact surfaces of load and floor must be swept clean, grease-free and dry to achieve optimum anti-slip properties.



Our advice is given to the best of our knowledge, but only as a non-binding reference and does not exempt our own examination of the products supplied by us for their suitability for the intended procedures and purposes. The specified technical data are guide values, i.e. experience values from longer production periods. The processing of our products is beyond our control and is therefore exclusively within your area of responsibility. Of course, we guarantee the perfect quality of our products according to our general sales and delivery conditions. Due to raw material and production, as well as by external influences (temperature, humidity, etc.), the stated values can fluctuate by up to  $\pm 25\%$ .



## Anti slip mats for general cargo - THE ALLROUNDER

### Product information

- Colour: black with green, lime green and yellow colour particles
- Material: Elastomer-compound made of synthetic rubber and polyurethane
- Thickness: 3, 4, 5, 6, 8, 10, 12, 15, 20 mm
- Delivery form: pads, stripes, rolls, sheets, round blanks, pads & round blanks adhesive

**> 0.6  $\mu$**   
coefficient of sliding friction



Technical data:		
Volume weight		860 kg/m <sup>3</sup>
Surface weight	for 8 mm thickness	6.88 kg/m <sup>2</sup>
Tensile strength	based on DIN EN ISO 1798	$\geq 0.60$ N/mm <sup>2</sup>
Elongation of break		$\geq 60$ %
Maximum loading	DIN EN ISO 3386/2, for 8 mm thickness	250 t/m <sup>2</sup> = 2.50 N/mm <sup>2</sup>
Working temperature range		-40 to +120°C
Coefficient of sliding friction	recommendation VDI 2700 sheet 15	min. 0.6 $\mu$

## Anti slip mats for heavy load - THE POWERFUL MAT

### Product information

- Colour: black with yellow colour particles
- Material: rubber granulate bound with PUR
- Thickness: 8 mm
- Delivery form: pads, stripes, rolls, sheets, round blanks, pads & round blanks adhesive

**> 0.6  $\mu$**   
coefficient of sliding friction



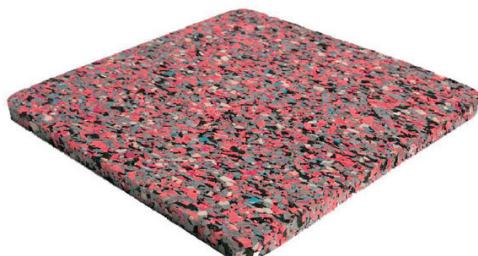
Technical data:		
Volume weight		950 kg/m <sup>3</sup>
Surface weight	for 8 mm thickness	7.6 kg/m <sup>2</sup>
Tensile strength	based on DIN EN ISO 1798	$\geq 0.60$ N/mm <sup>2</sup>
Elongation of break		$\geq 60$ %
Maximum loading	DIN EN ISO 3386/2, for 8 mm thickness	630 t/m <sup>2</sup> = 6.30 N/mm <sup>2</sup>
Working temperature range		-40 to +120°C
Coefficient of sliding friction	recommendation VDI 2700 sheet 15	min. 0.6 $\mu$

## Anti slip mats for sensitive cargo - THE NEUTRAL MAT

### Product information

- Colour: colourful
- Material: rubber granulate bound with PUR
- Thickness: 6, 8, 10 mm
- Delivery form: pads, stripes, rolls, sheets, round blanks, pads & round blanks adhesive

**> 0.6  $\mu$**   
coefficient of sliding friction



Technical data:		
Volume weight		1,050 kg/m <sup>3</sup>
Surface weight	for 8 mm thickness	8.40 kg/m <sup>2</sup>
Tensile strength	based on DIN EN ISO 1798	$\geq 0.60$ N/mm <sup>2</sup>
Elongation of break		$\geq 60$ %
Maximum loading	DIN EN ISO 3386/2, for 8 mm thickness	350 t/m <sup>2</sup> = 3.50 N/mm <sup>2</sup>
Working temperature range		-40 to +120°C
Coefficient of sliding friction	recommendation VDI 2700 sheet 15	min. 0.6 $\mu$



## CONTACT

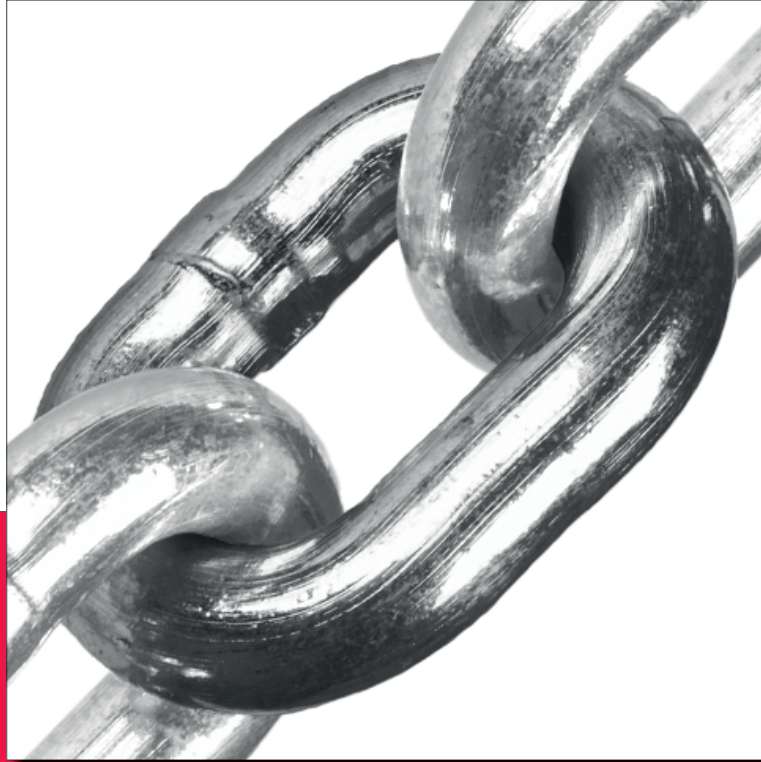
Stuut Lifting & Lashing  
Roggenkamp 29  
32602 Vlotho  
GERMANY

T: +49 5228 9628290

[sales@lifting-lashing.de](mailto:sales@lifting-lashing.de)  
[www.lifting-lashing.de](http://www.lifting-lashing.de)

[marine-lashing.com](http://marine-lashing.com)

[www.marine-lashing.com](http://www.marine-lashing.com)



## Stuut Lifting & Lashing

Roggenkamp 29 | 32602 Vlotho | Germany

T +49 5228 9628 290      [sales@lifting-lashing.de](mailto:sales@lifting-lashing.de)  
F +49 5228 9628 299      [www.lifting-lashing.de](http://www.lifting-lashing.de)

