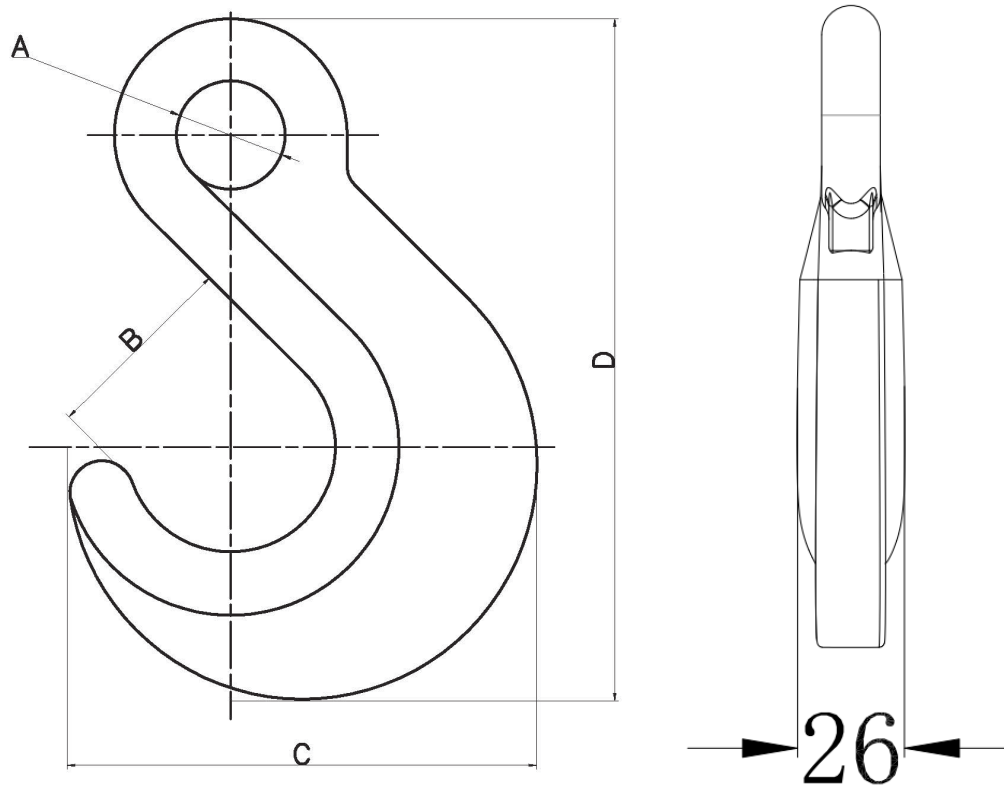




Fittings for lashing chains

Eye hooks 11-13mm



- Material : forged steel
- Finish : painted, electro galvanized, electro galvanized + painted, hot dip galvanized
- Packing & markings : as per customer request

Chain ∅ mm	SWL kN / t painted	MBL kN / t painted	Weight kg	Dimensions (mm)			
				A	B	C	D
11 & 13	98 / 10	196/20	1.4	28	54.5	120	177

(Important note: Measures and weights without engagement. We reserve the right to change technical details.)