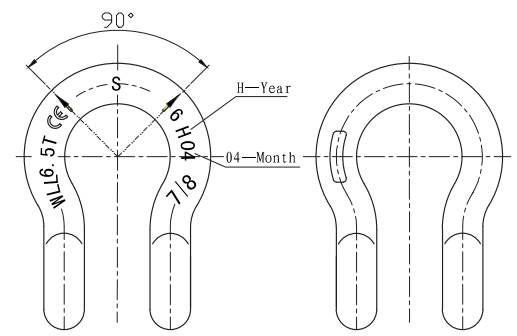
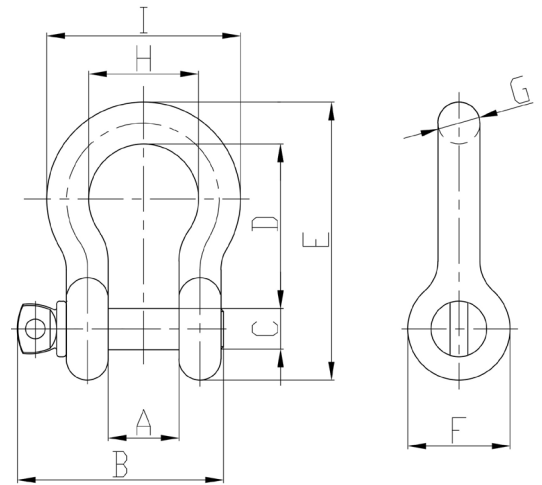




Shackles

US type bow shackles screw pin



- Safety factor : 6:1
- Material : forged & high tensile steel, grade 6
- Standard : generally to US Fed. Spec. RR-C-271
- Finish : body - hot dipped galvanized & pin - powder coated
- Markings : WLL, CE, S, 6, batch code, size
- Packing : as per customer request

Size inch	WLL t	Weight kg	Dimensions (mm)								
			A	B	C	D	E	F	G	H	I
1/2	2	0.33	21.0	68	16	48	83	30	13	33	59
5/8	3.25	0.62	27.0	85	19	61	106	38	16	43	75
3/4	4.75	1.07	32.0	101	22	71	126	46	19	51	89
7/8	6.5	1.66	37.0	114	25	84	143	53	22	58	102
1	8.5	2.42	43.0	129	29	95	167	61	25	68	119
1 1/8	9.5	3.36	46.0	142	32	108	190	68	30	74	131
1 1/4	12	4.31	52.0	157	35	119	210	79	33	83	146
1 3/8	13.5	6.01	57.0	174	38	133	233	84	36	92	162
1 1/2	17	7.80	61.0	187	41	146	254	92	39	99	175
1 3/4	25	13.80	76.6	230	50	176	304	108	45	128	220
2	35	20.00	83.0	262	57	194	346	123	51	145	250
2 1/2	55	37.00	106.5	330	69	263	454	151	64	185	318

(Important note: Measures and weights without engagement. We reserve the right to change technical details.)