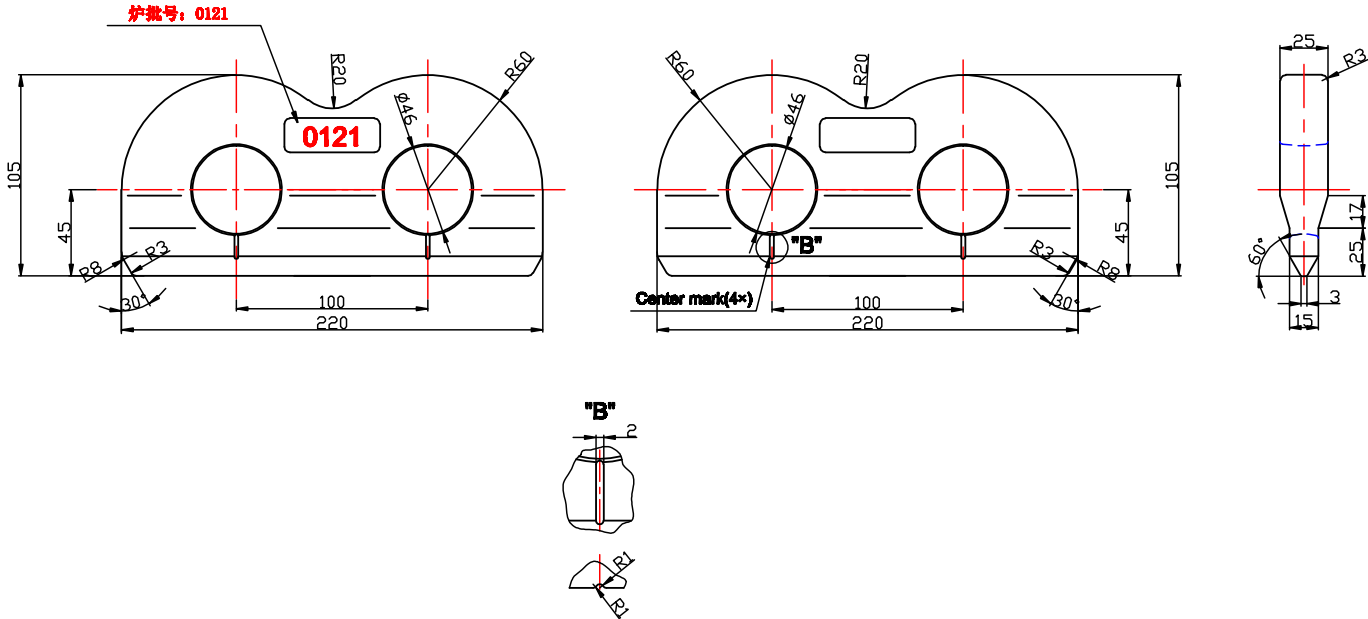




Lashing plates

Double lashing plate (eye)



- Material : G355B (forging)
- Finish : painted

	Save Working Load SWL	Proof Load PL	Breaking Load BL	Weight kg
Tension (kN)	250	313	500	2.87

(Important note: Measures and weights without engagement. We reserve the right to change technical details.)