



OX Lifting Beams

Container Lifting Beam



Technical details

WLL	: 35,000 kg
Length	: 2,500 mm
Own weight	: 510 kg

Factors influencing the load capacity

- The lifting beam can be connected to the crane hook using the central shackle or by using a 2-leg top sling.
- With this lifting beam 20 ft and 40 ft containers can be lifted. The lifting beam should be placed centralized and level to the container.
- The bottom slings should be connected to the lower corner castings, using suitable hooks.
- The bottom slings should be adjusted in length in such a way that the COG is directly below the cranes hook.
- During lifting the container must be horizontal. If not, adjusting of the chain lengths is required

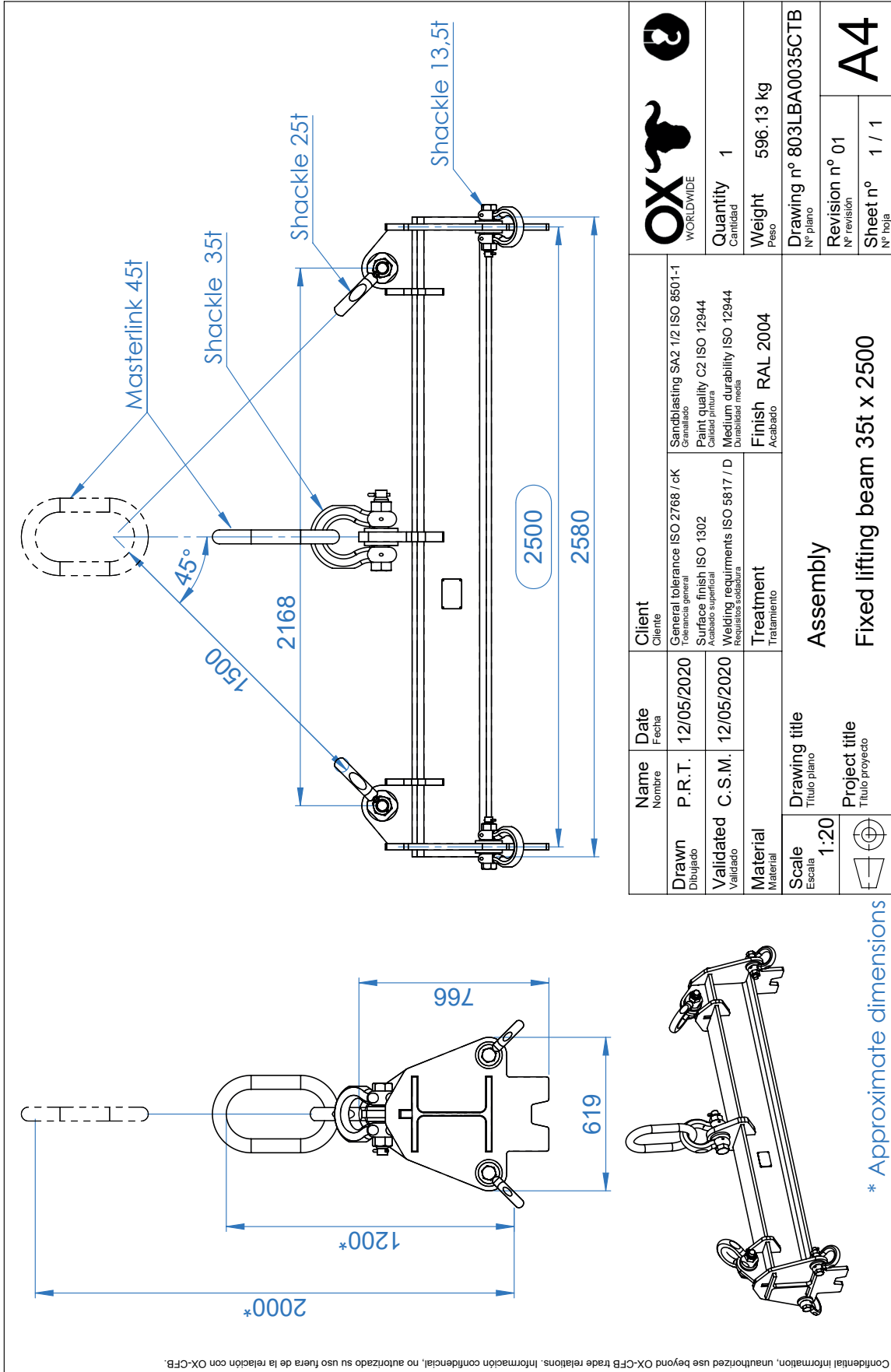
(Important note: Measures and weights without engagement. We reserve the right to change technical details.)



OX Lifting Beams

Container Lifting Beam

Overall dimensions



Confidential information, unauthorized use beyond OX-CFB trade relations. Información confidencial, no autorizado su uso fuera de la relación con OX-CFB.