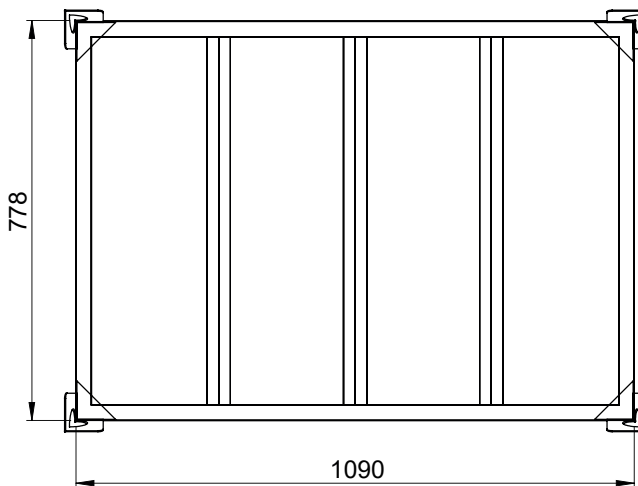
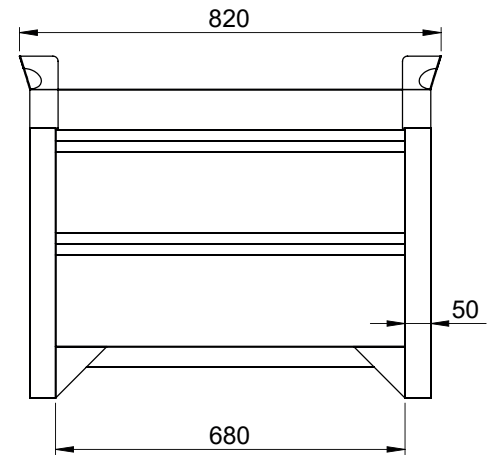
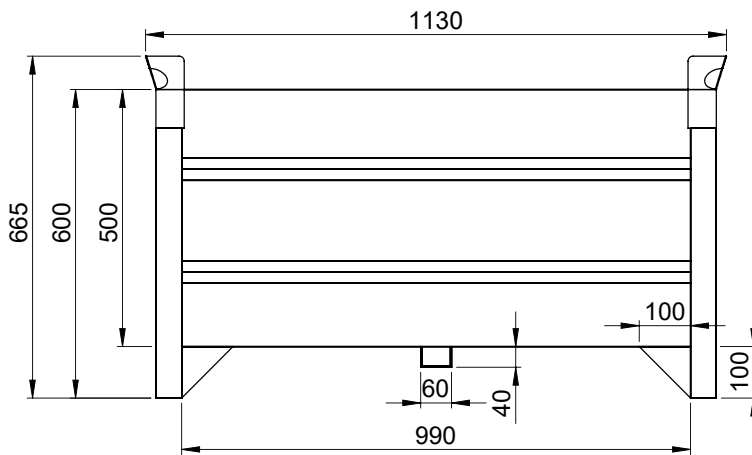
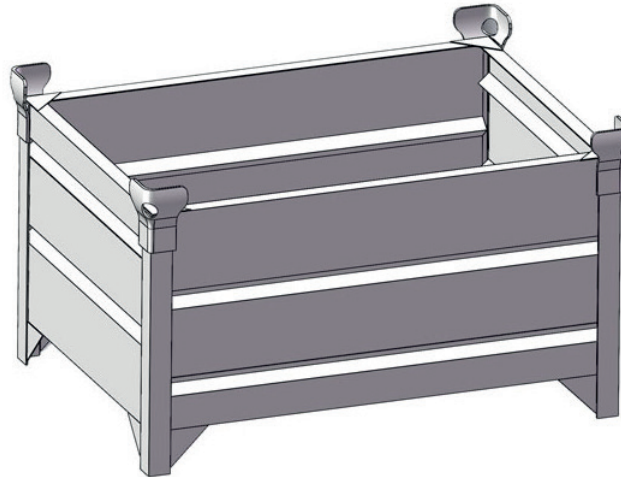




Bins

Bin-06, 1090 x 778 x 665 mm



- SWL : 1.5 t
- Weight : 58 kg
- Material : Q235B
- Finish : hot dip galvanized

(Important note: Measures and weights without engagement. We reserve the right to change technical details.)