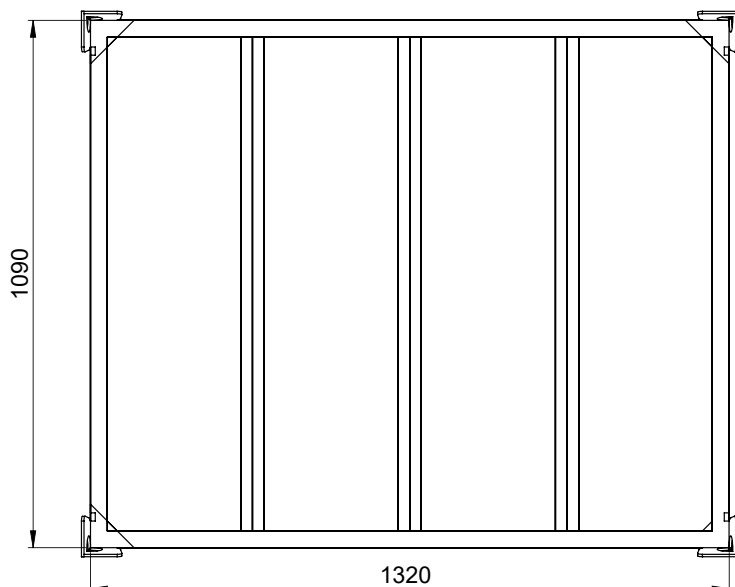
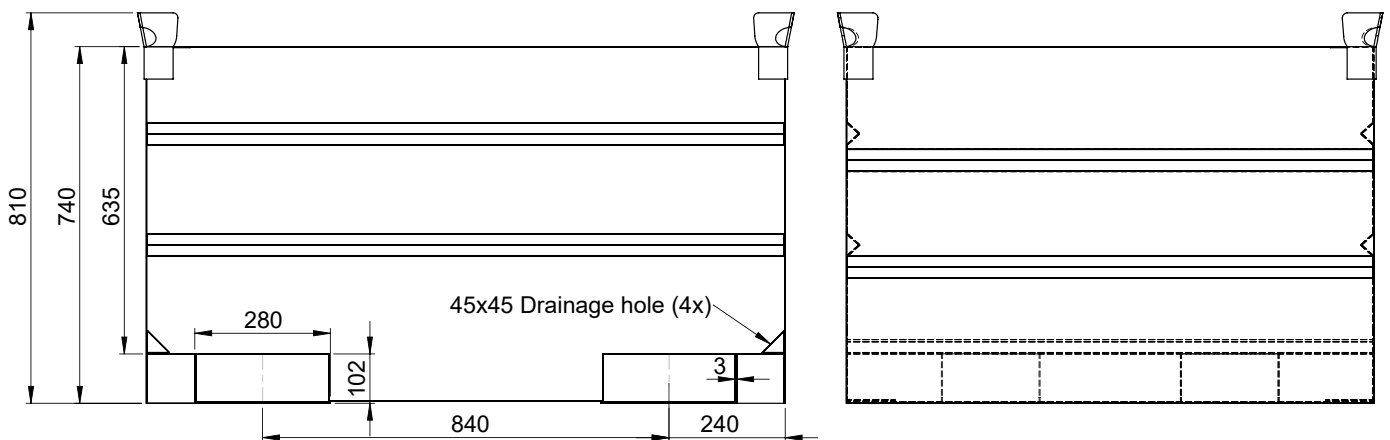
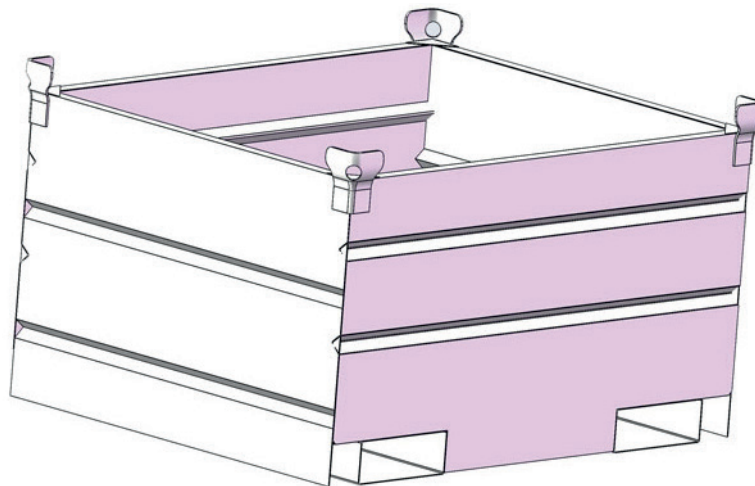




Bins

**Bin-05, 1320 x 1090 x 810 mm**



- SWL : 2 t
- Weight : 104 kg
- Material : Q235B
- Finish : hot dip galvanized

(Important note: Measures and weights without engagement. We reserve the right to change technical details.)