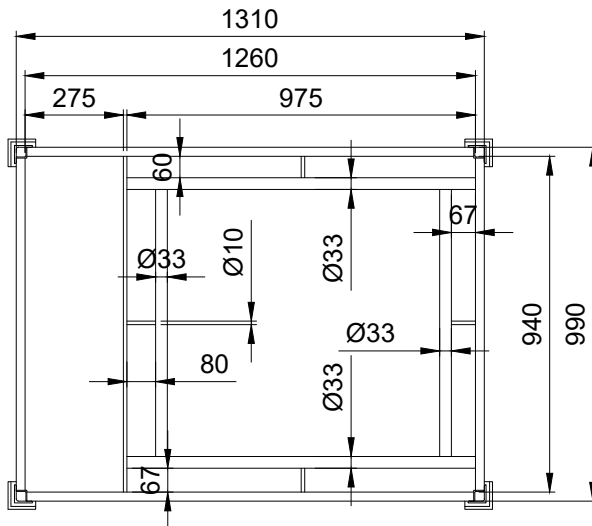
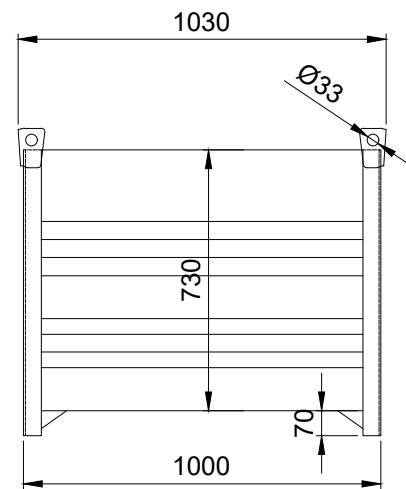
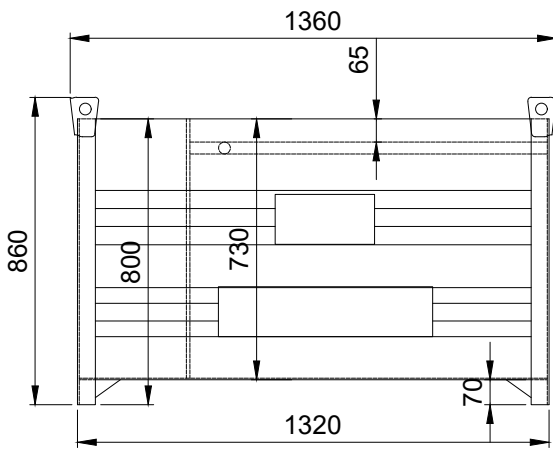




Bins

Bin-03, 1360 x 1030 x 860 mm



- SWL : 2 t
- Weight : 135 kg
- Material : Q235B
- Finish : hot dip galvanized

(Important note: Measures and weights without engagement. We reserve the right to change technical details.)