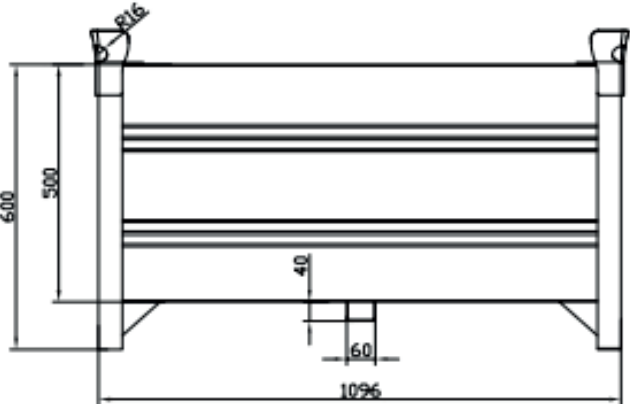
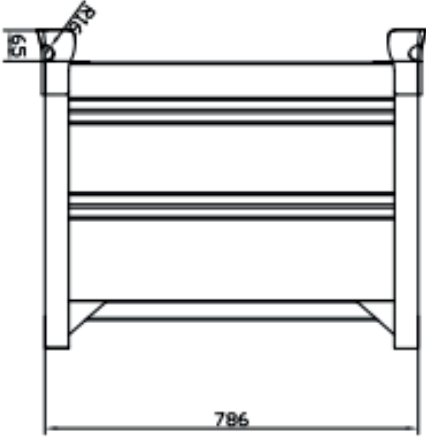
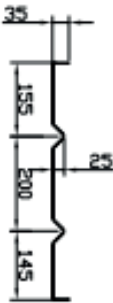
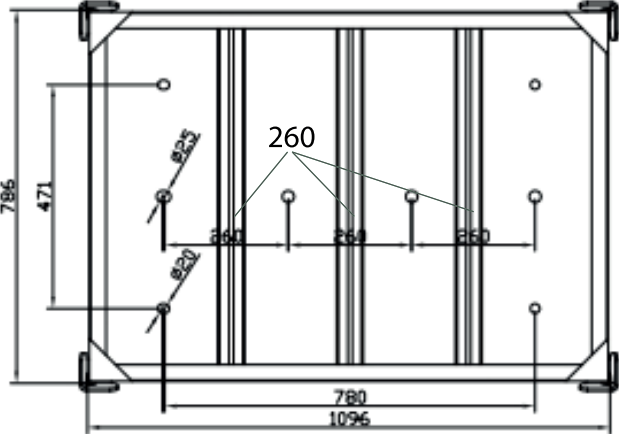




Bins

**Bin-02, 1096 x 786 x 500 mm**



- Weight : 66 kg
- Material : Q235B
- Finish : hot dip galvanized

(Important note: Measures and weights without engagement. We reserve the right to change technical details.)