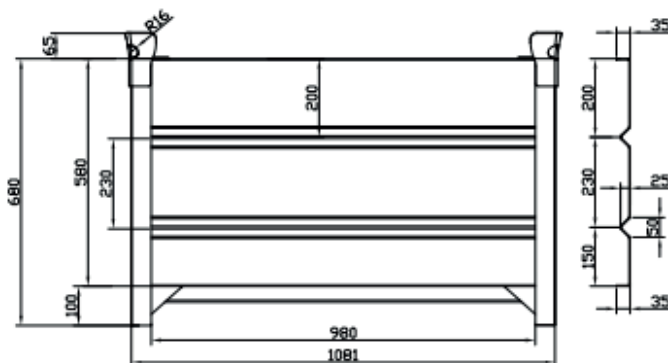
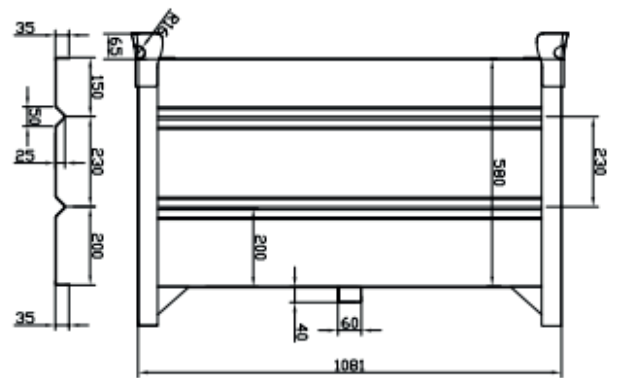
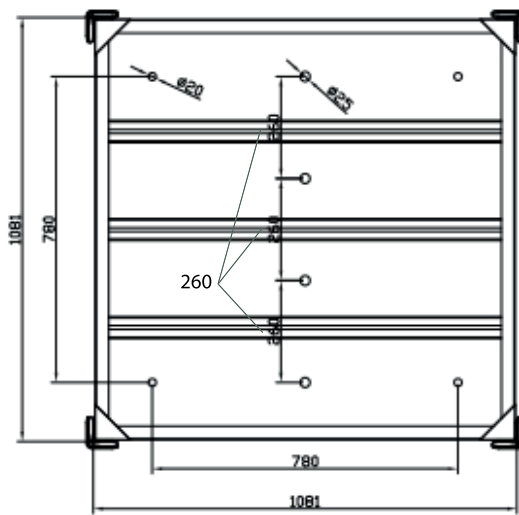
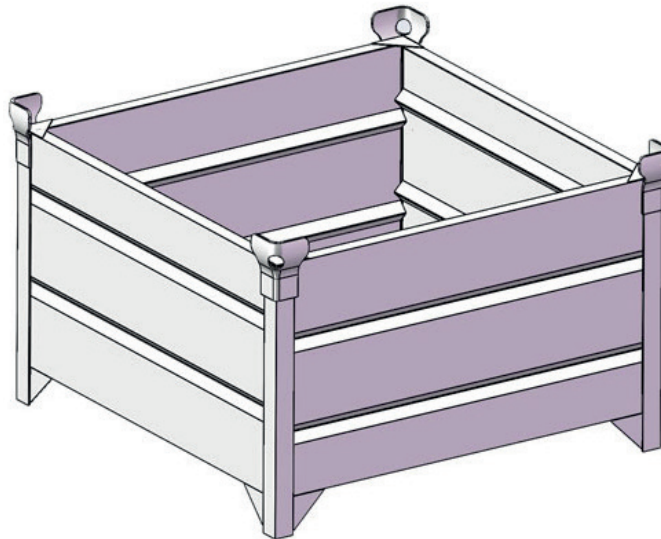




Bins

**Bin-01B, 1080 x 1080 x 580 mm**



- Weight : 88 kg
- Material : Q235B
- Finish : hot dip galvanized

(Important note: Measures and weights without engagement. We reserve the right to change technical details.)