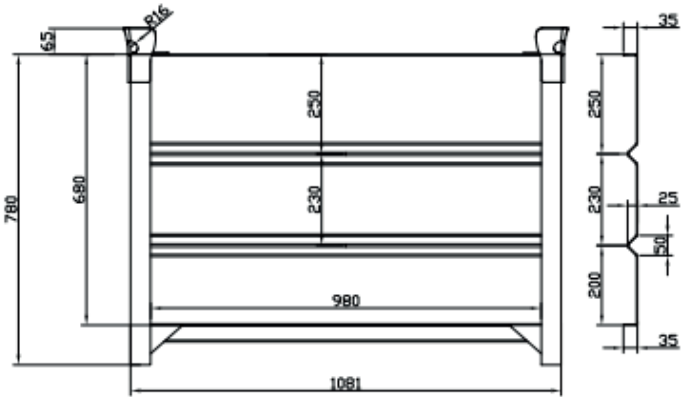
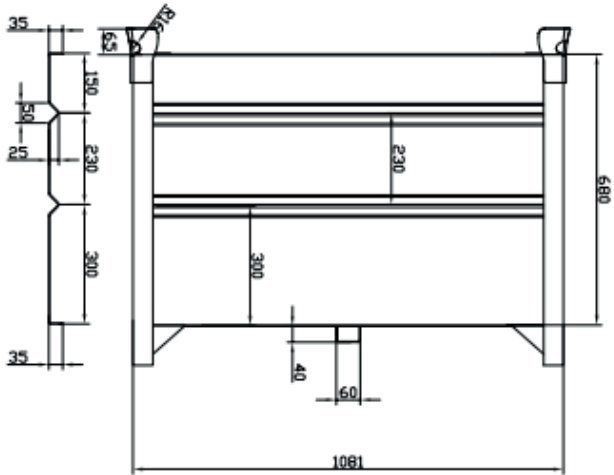
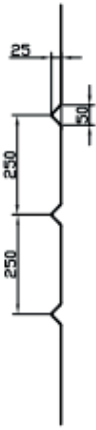
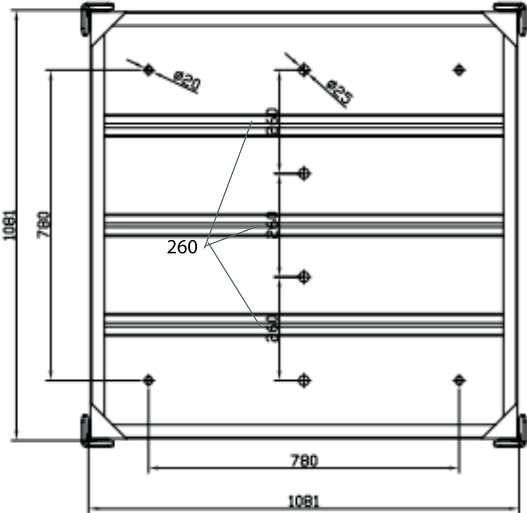
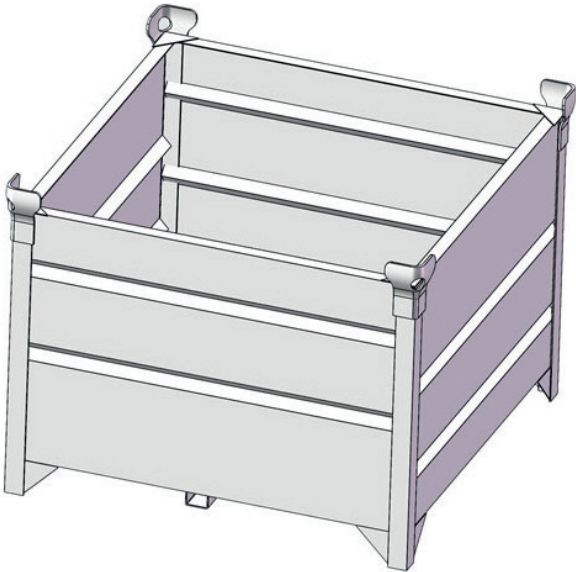




Bins

**Bin-01A, 1080 x 1080 x 680 mm**



- Weight : 92 kg
- Material : Q235B
- Finish : hot dip galvanized

(Important note: Measures and weights without engagement. We reserve the right to change technical details.)