



Big Bag Lifting Beams

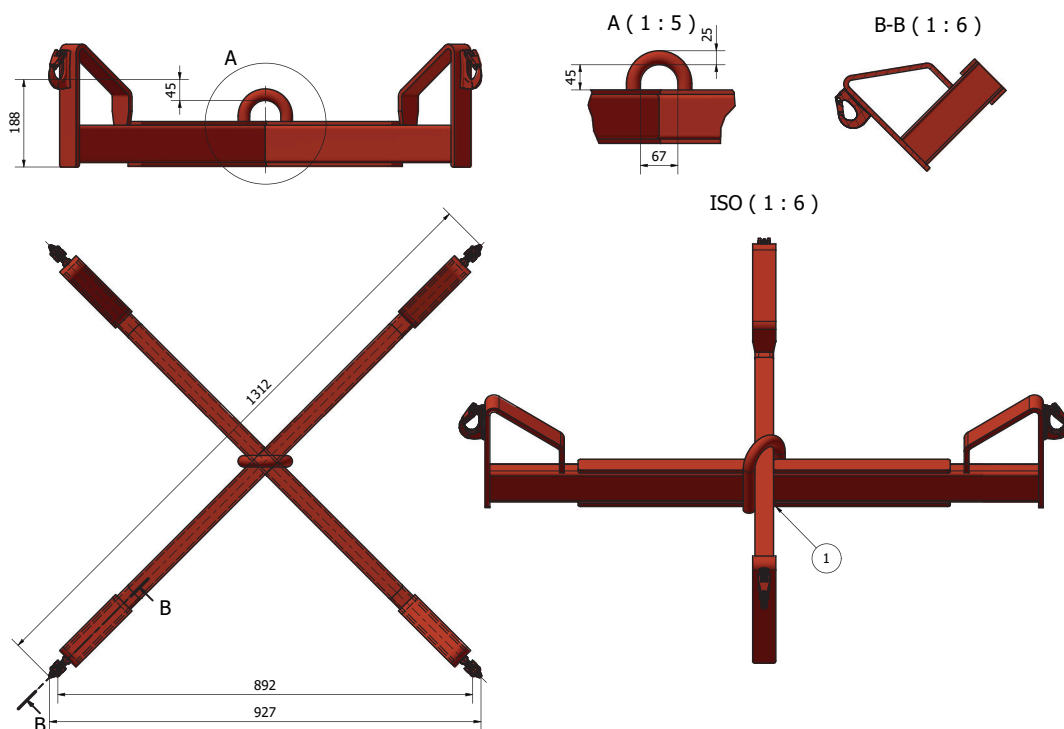
Type BBT03



- According to 2006/42/EC Machinery Directive and EN 12100-1/2
- Low-headroom execution with weld-on hooks
- Standard painting: 2-components-painting RAL 2010, hot dip galvanized on request
- **Attention:**
Due to the negative overall height on the crane hook, the lifting beam with low-headroom can tip to the side as soon as it is no longer loaded. Therefore, special care is required when using this type BBT03.

The center of gravity must be well below the attachment points!

Article number	WLL (kg)	Execution	Length (mm)	Weight (kg)
126.BBT03	2,000	low-headroom, with weld-on hooks	900 x 900	38



(Important note: Measures and weights without engagement. We reserve the right to change technical details.)