



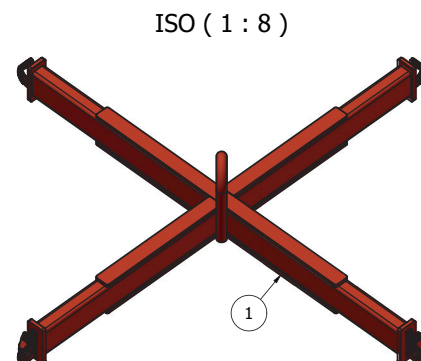
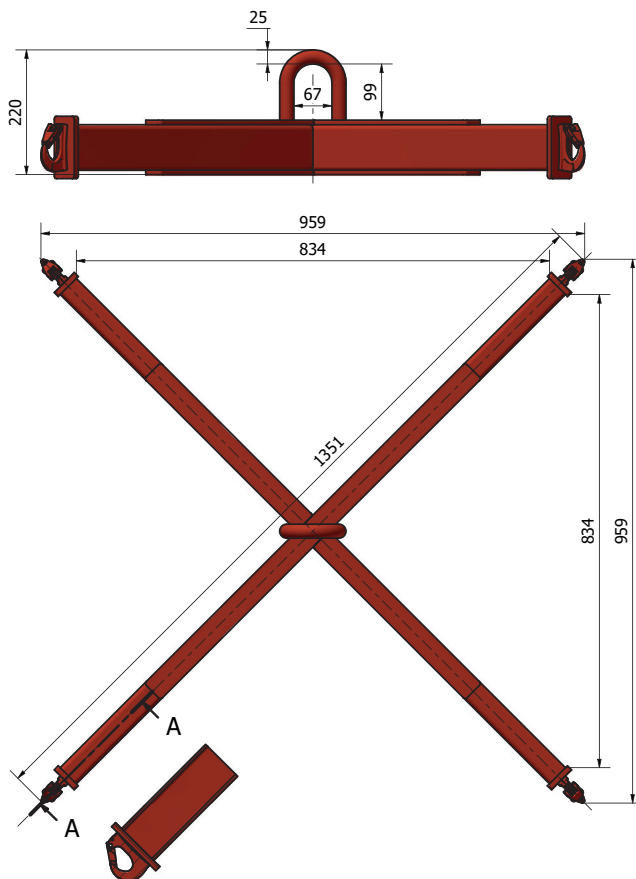
Big Bag Lifting Beams

Type BBT02



- According to 2006/42/EC Machinery Directive and EN 12100-1/2
- With weld-on hooks
- Standard painting: 2-components-painting RAL 2010, hot-dip galvanized on request

| Article number | WLL (kg) | Execution | Length (mm) | Weight (kg) |
|----------------|----------|--------------------|-------------|-------------|
| 126.BBT02 | 2,000 | with weld-on hooks | 900 x 900 | 33 |



(Important note: Measures and weights without engagement. We reserve the right to change technical details.)