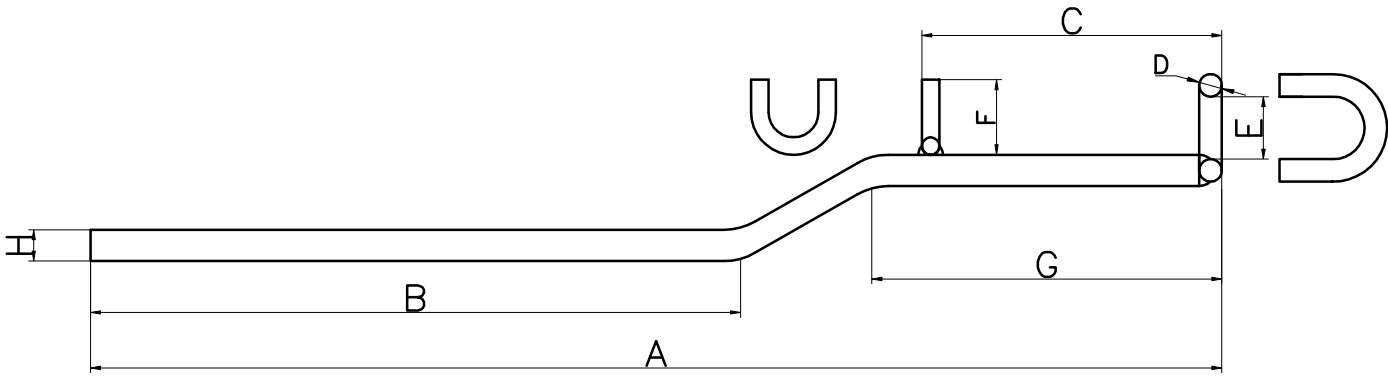




Tension levers 9-11-13mm

Extension levers



- Material : forged steel & bended steel wire
- Finish : primer painted
- Packing : as per customer request

Weight kg	Dimensions (mm)							
	A	B	C	D ∅	E	F	G	H ∅
3.9	905	520	240	18	50	60	280	25

(Important note: Measures and weights without engagement. We reserve the right to change technical details.)