



Crane forks

PGRV - Crane forks with adjustable tines and height



- Crane fork with adjustable tines and adjustable height
- Capacity 1500 kg - 3000 kg
- The balancing system engages when the ring is manually hooked into the appropriate notch.
- As per EC Machinery directive 2006/42/EG and EN 13155
- Safety factor 4:1
- Surface: 2-components painting RAL 2010, alternatively hot dip galvanised (frame only, not the forks)

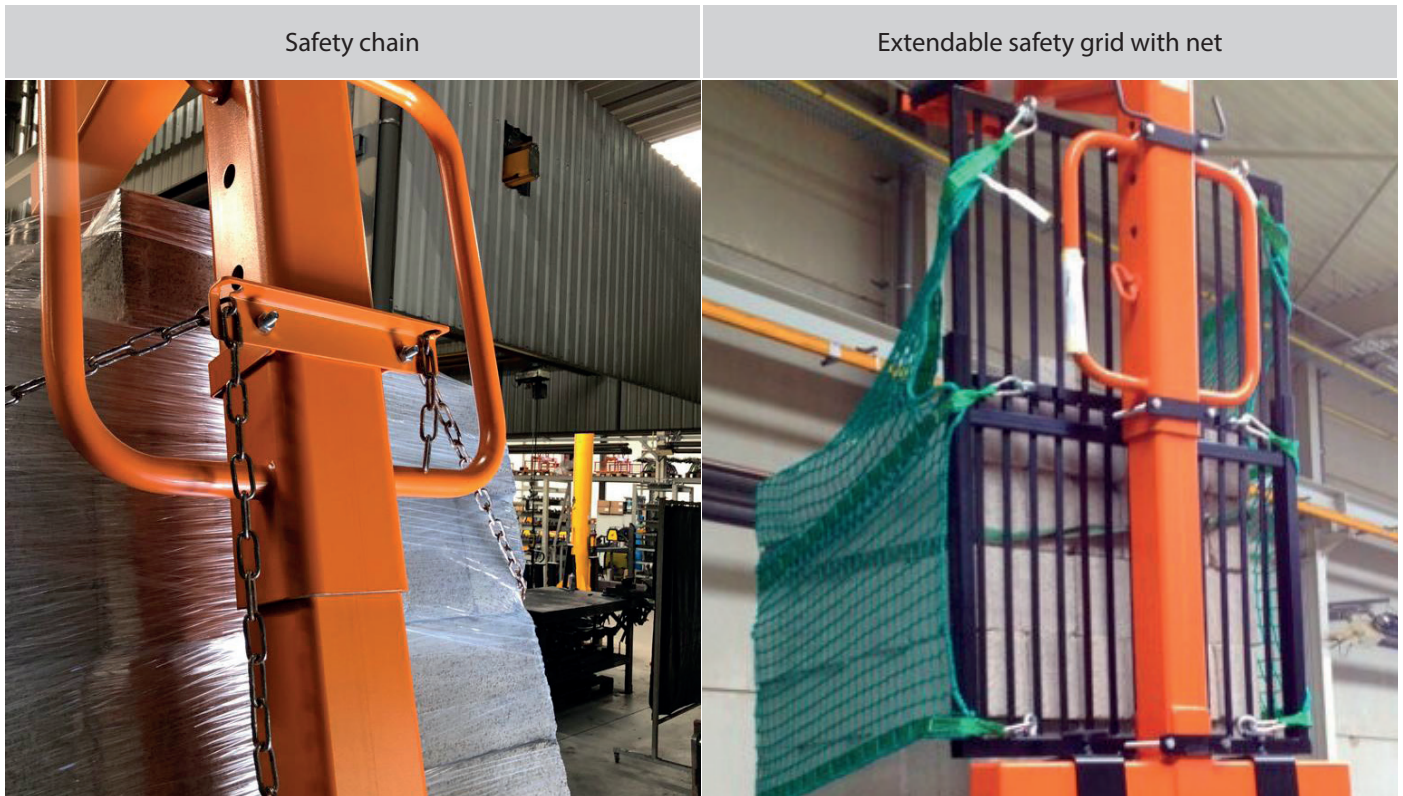
Art. No.	Capacity (kg)	Effective width (mm)	Effective height (mm)	Height adjustable in steps (mm)	Effective fork length (mm)	Weight (kg)
126.PGR15V	1,500	400 - 1,000	1,200 - 1,700	125	1,000	150
126.PGR20V	2,000					165
126.PGR25V	2,500					180
126.PGR30V	3,000					200



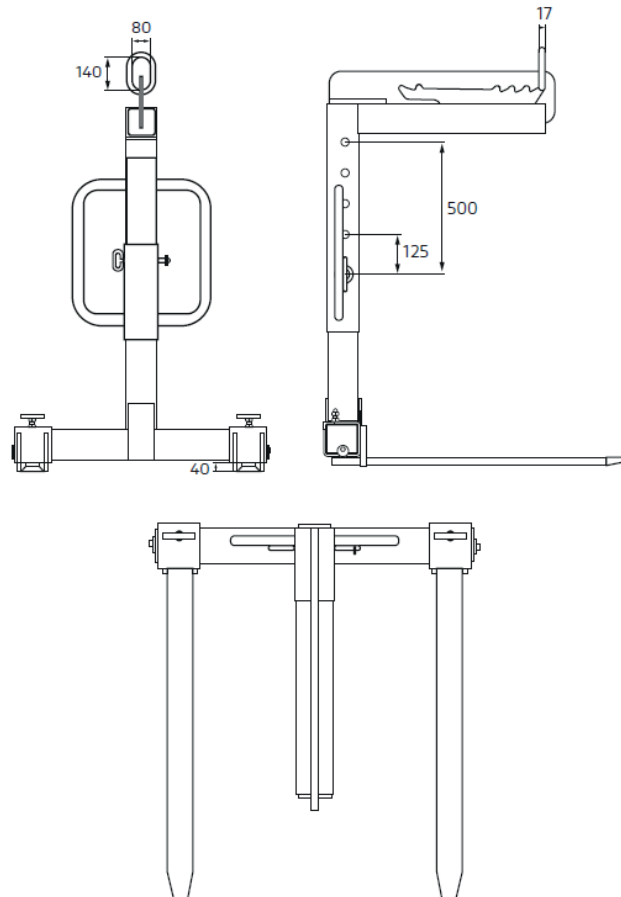
Crane forks

PGRV - Crane forks with adjustable tines and height

Optional:



Overall drawing:



(Important note: Measures and weights without engagement. We reserve the right to change technical details.)