



Crane forks

PGR - Crane forks with adjustable tines and fixed height



- Crane fork with adjustable tines and fixed height
- Capacity 2,500 kg or 3,000 kg
- The balancing system engages when the ring is manually hooked into the appropriate notch.
- As per EC Machinery directive 2006/42/EG and EN 13155
- Safety factor 4:1
- Surface: 2-components painting RAL 2010, alternatively hot dip galvanised (frame only, not the forks)

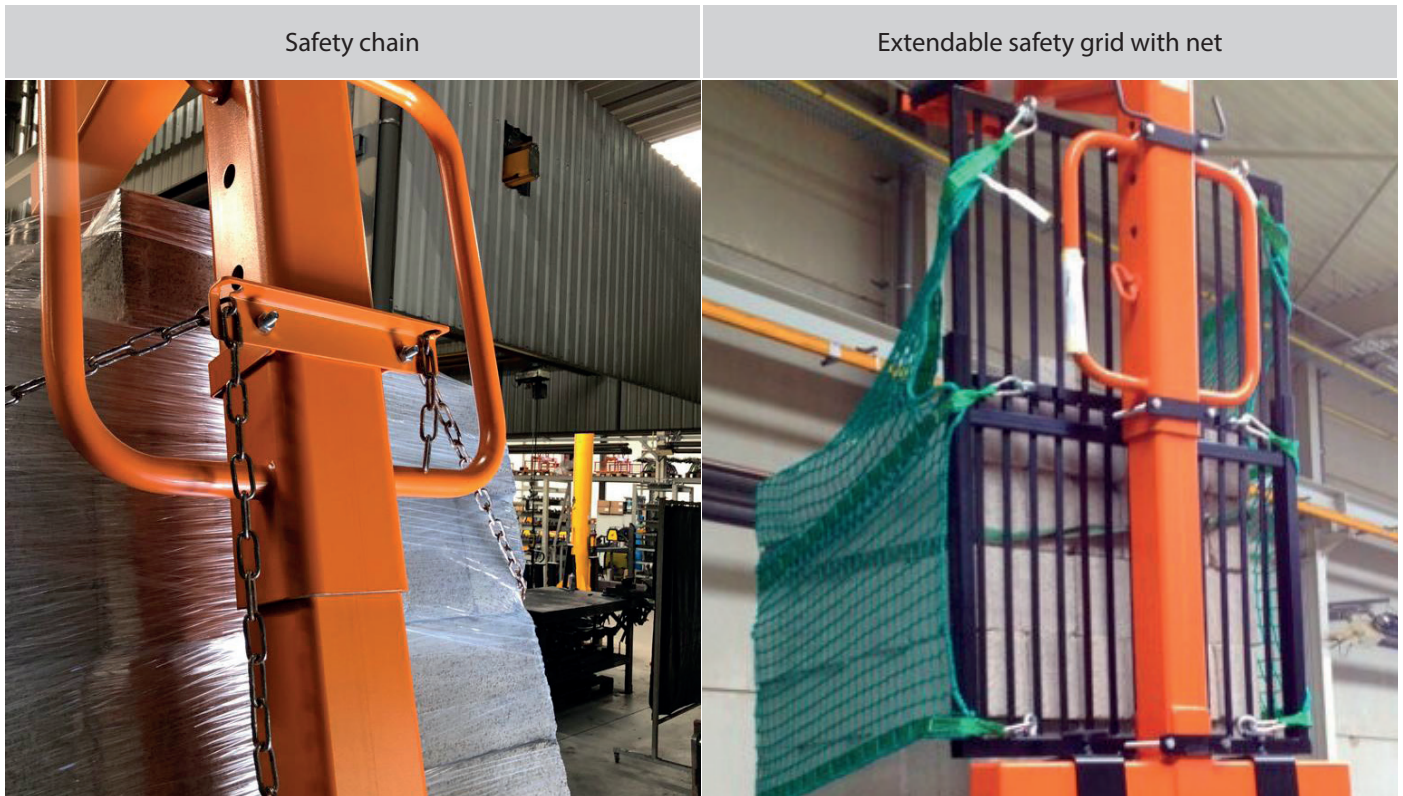
Art. No.	Capacity (kg)	Effective width (mm)	Effective height (mm)	Effective fork length (mm)	Weight (kg)
126.PGR25	2,500	400 - 1,000	1,300	1,000	155
126.PGR30	3,000				170



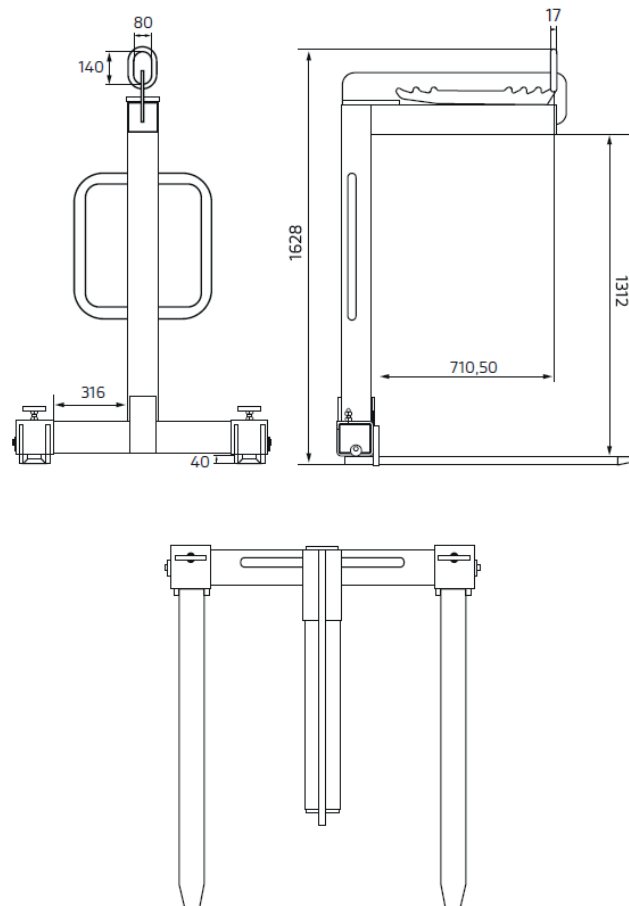
Crane forks

PGR - Crane forks with adjustable tines and fixed height

Optional:



Overall drawing:



(Important note: Measures and weights without engagement. We reserve the right to change technical details.)