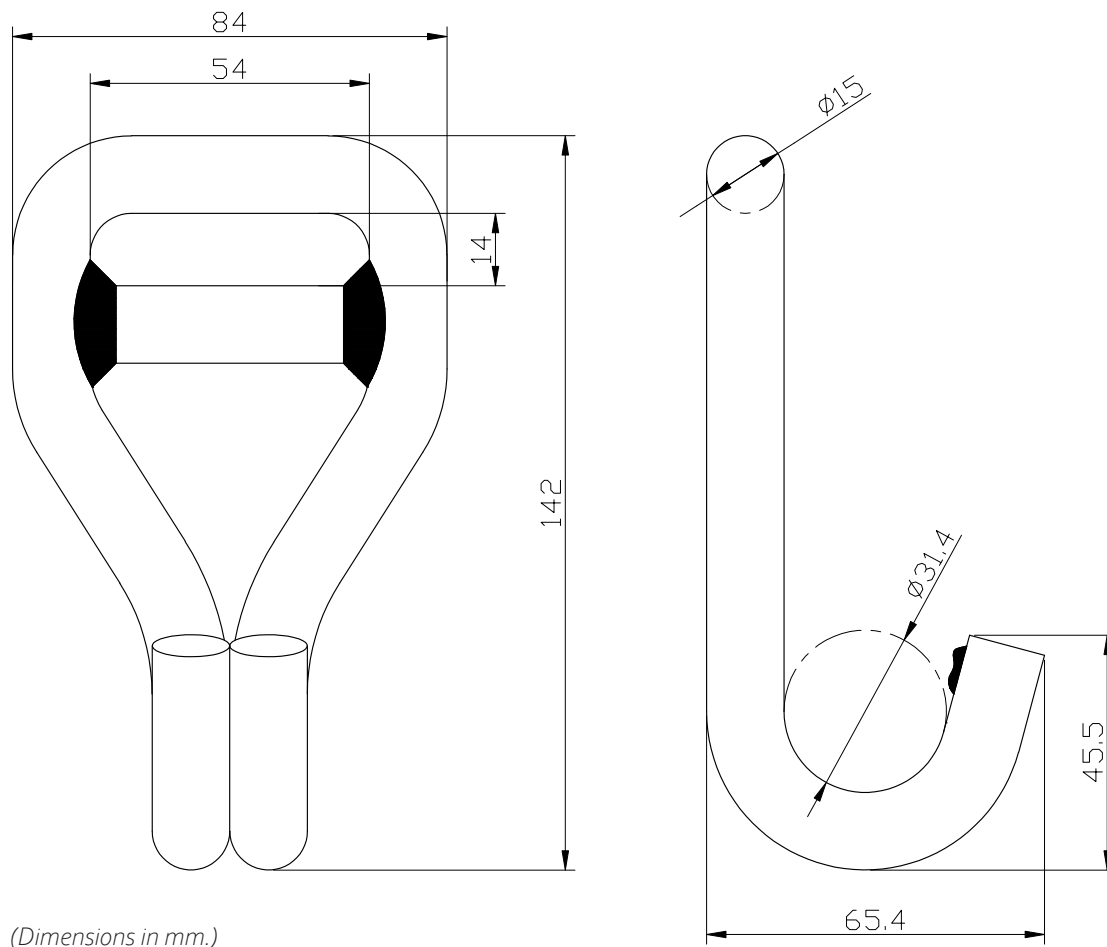




Hooks for one way webbing

One way lashing hook WH8001 - 50 mm - 5,000 daN - Type 2



Art. No.	WH8001
MBL	5,000 daN
For webbing	50 mm
Finish	electro galvanized (Cr6+ free)
Markings	as per customer request
Weight	24 kg / carton
Packing	35 pcs / carton (48 cts / pallet)

(Important note: Measures and weights without engagement. We reserve the right to change technical details.)