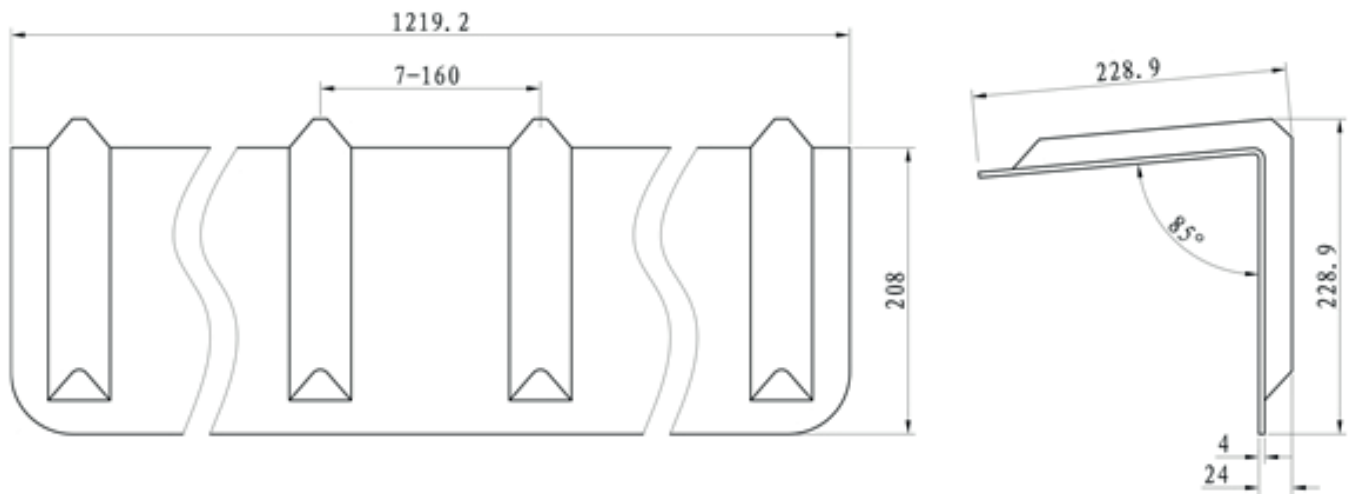




Corner protectors

Corner protector PCP-480



(Dimensions in mm)

Art. No.	PCP-480
Blue corner protector	
Weight	2.4 kg / piece
Packing	loose

(Important note: Measures and weights without engagement. We reserve the right to change technical details.)