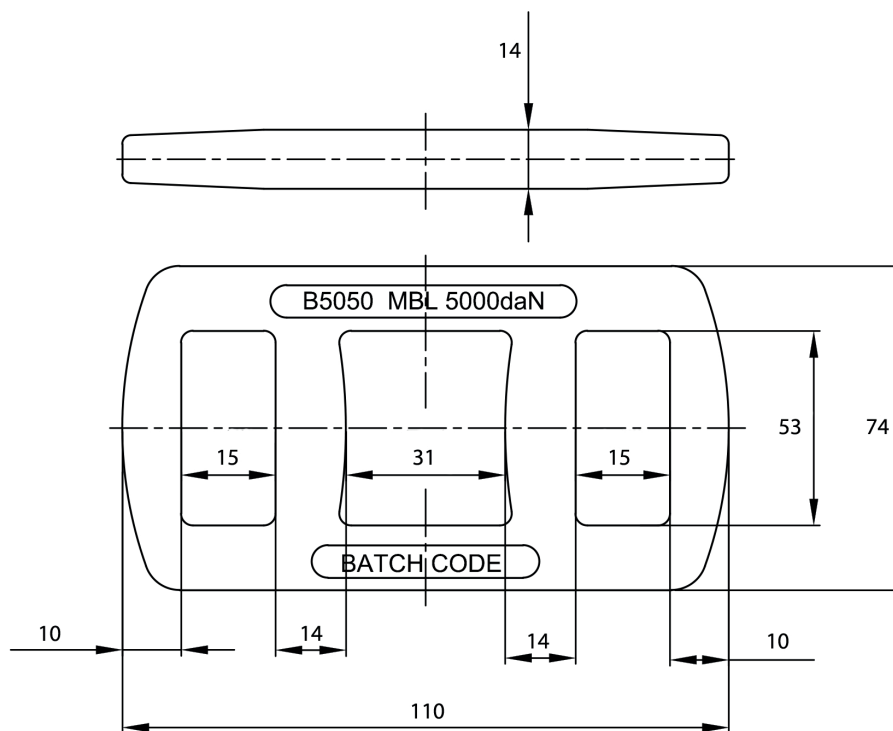




Buckles for one way webbing

## Forged buckle B5050 - 50 mm - 5,000 daN



(Dimensions in mm.)

Art. No.	B5050
MBL	5,000 daN
For webbing	50 mm
Material	C45
Finish	electro galvanized (Cr6+ free)
Markings	as per customer request
Weight	390 g / pc
Packing	50 pcs / carton (48 cts / pallet)

(Important note: Measures and weights without engagement. We reserve the right to change technical details.)