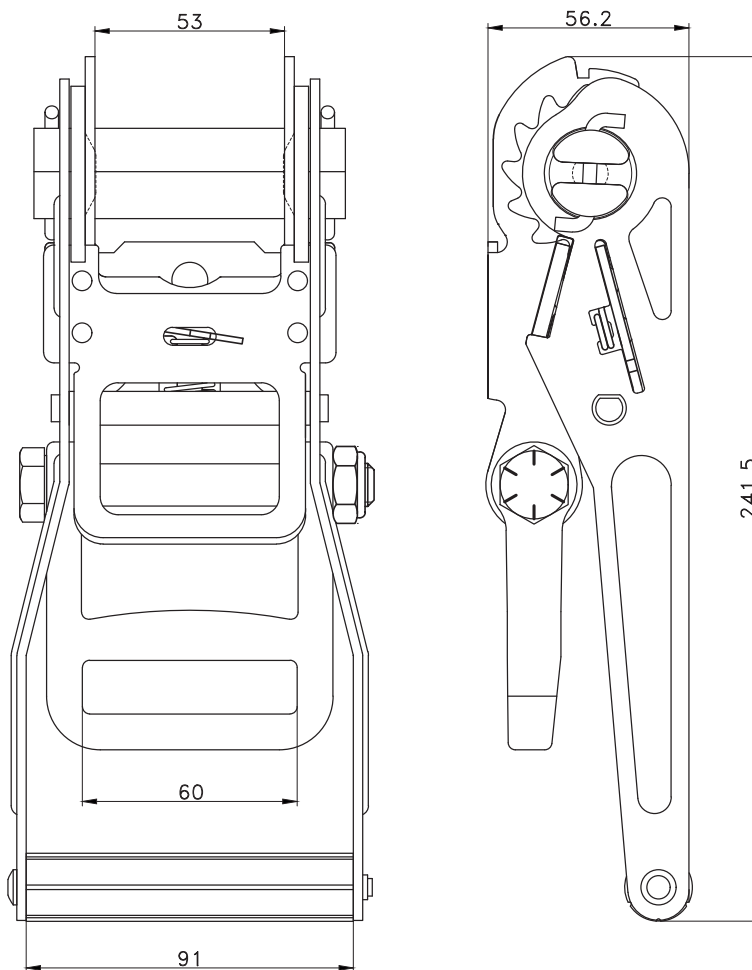




Ratchets with integrated buckle

50mm ratchets with one way lashing buckle - Stf 350 daN



Usage:	For 50 mm webbing
System Breaking Strength:	8,500 daN
Finish:	Electro galvanized (Cr6+ free)
Markings:	as per customer request
Weight:	1.25 kg
Packing details:	20 pcs / carton (25 cartons / pallet)

(Important note: Measures and weights without engagement. We reserve the right to change technical details.)