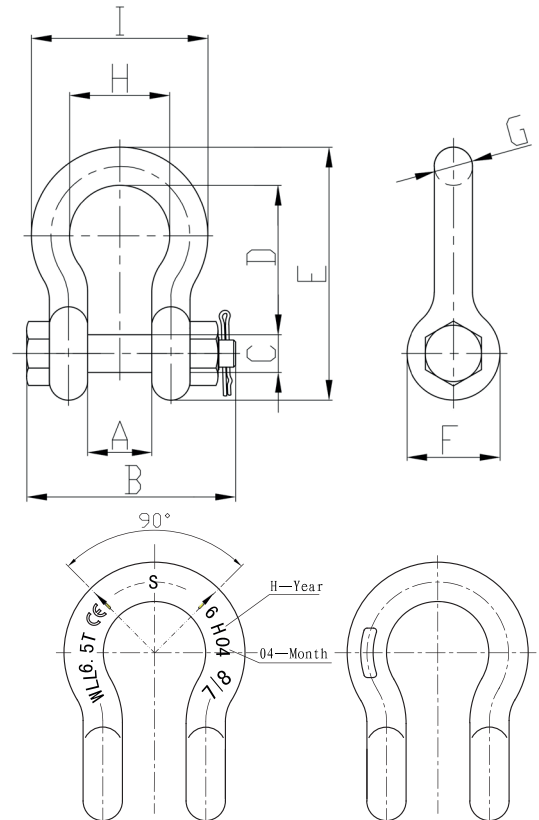




Shackles

**US type bow shackles safety pin**



- Safety factor : 6:1
- Material : forged & high tensile steel, grade 6
- Standard : generally to US Fed. Spec. RR-C-271
- Finish : body - hot dipped galvanized & pin - powder coated
- Markings : WLL, CE, S, 6, batch code, size
- Packing : as per customer request

Size inch	WLL t	Weight kg	Dimensions (mm)								
			A	B	C	D	E	F	G	H	I
1/2	2	0.35	21	72	16	48	83	30	13	33	59
5/8	3.25	0.76	27	90	19	61	106	38	16	43	75
3/4	4.75	1.23	32	103	22	71	126	46	19	51	89
7/8	6.5	1.79	37	120	25	84	143	53	22	58	102
1	8.5	2.77	43	135	29	95	167	61	25	68	119
1 1/8	9.5	3.75	46	129	32	108	190	68	30	74	131
1 1/4	12	5.31	52	165	35	119	210	79	33	83	146
1 3/8	13.5	7.18	57	183	38	133	233	84	36	92	162
1 1/2	17	9.43	61	196	41	146	254	92	39	99	175
1 3/4	25	15.38	73	230	51	178	313	106	47	127	225
2	35	23.7	83	264	57	197	348	122	53	146	253
2 1/2	55	44.57	105	344	70	267	453	145	69	184	327
3	85	76.0	127	419	83	330	546	165	76	200	365

(Important note: Measures and weights without engagement. We reserve the right to change technical details.)