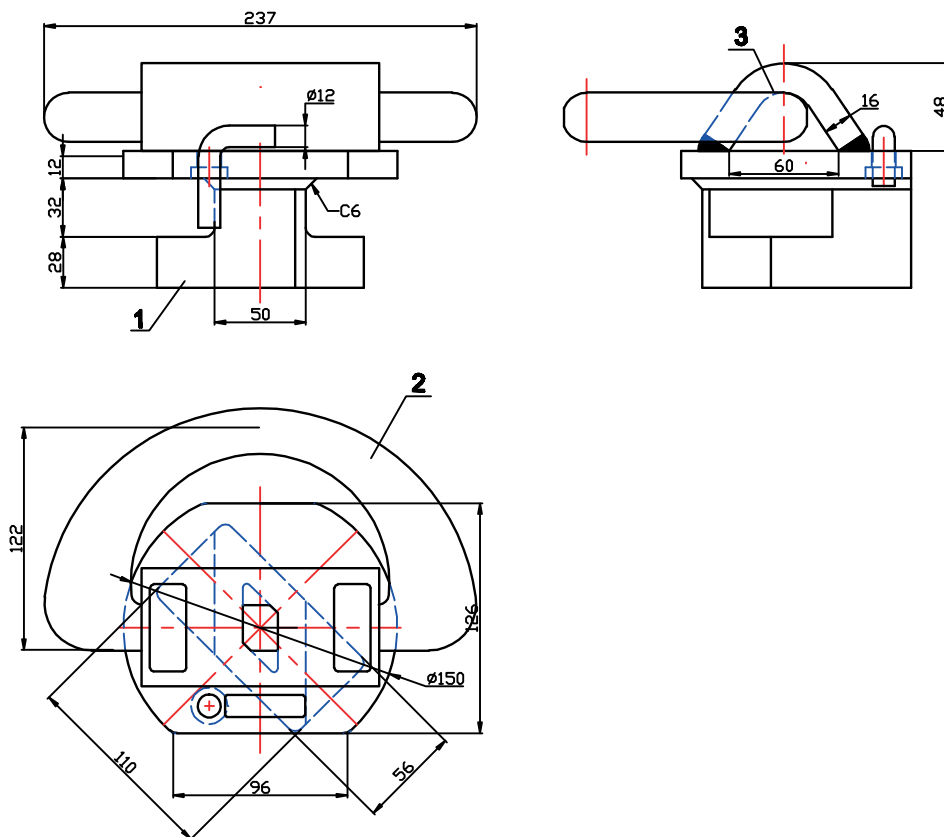




Weld-on D-rings

Turnfoot D-ring MBL 50T



- Material : 1) 1x Turnfoot: SCW480, casting
2) 1x D-ring: 40Cr, forging
3) 1x Strap: Q355B T16
4) Pin: ZG45, $\phi 12$
- Finish : painted - Shop Primer

	Save Working Load SWL	Proof Load PL	Breaking Load BL	Weight kg
Tension (kN)	250	313	500	---

(Important note: Measures and weights without engagement. We reserve the right to change technical details.)