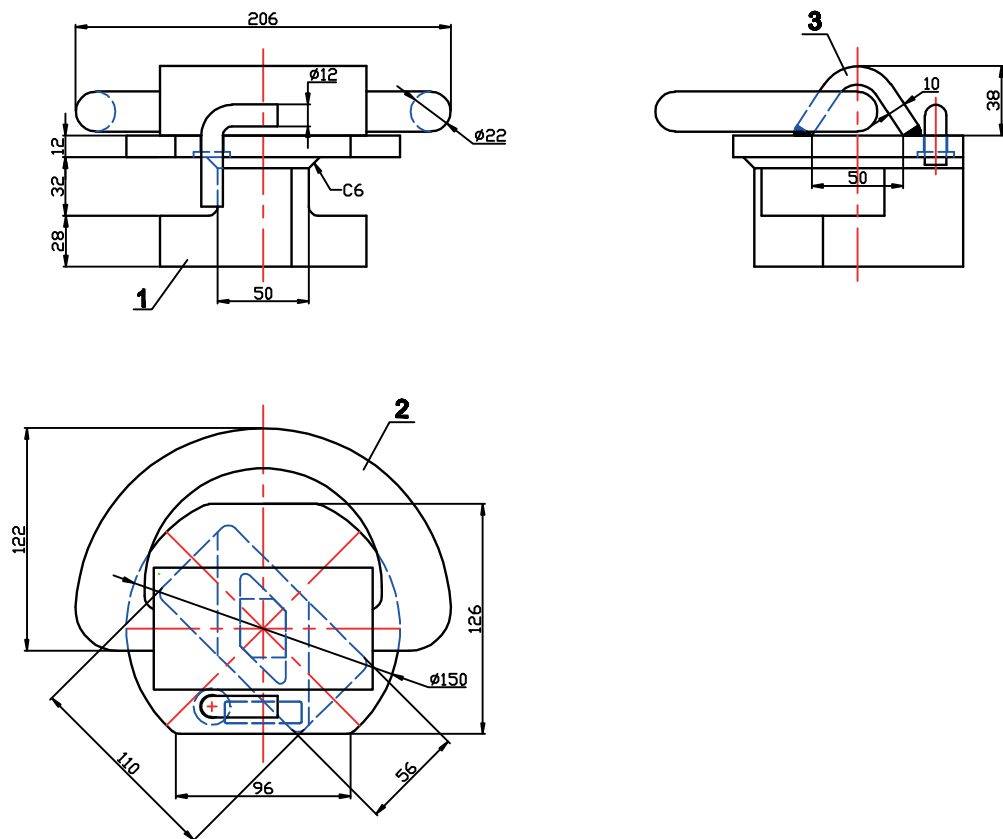




Weld-on D-rings

## Turnfoot D-ring MBL 36T



- Material : 1) 1x Turnfoot: SCW480, casting  
2) 1x D-ring: 40Cr, forging  
3) 1x Strap: Q355B T10  
4) Pin: ZG45,  $\phi 12$
- Finish : painted - Shop Primer

	Save Working Load SWL	Proof Load PL	Breaking Load BL	Weight kg
Tension (kN)	180	225	360	6.11

(Important note: Measures and weights without engagement. We reserve the right to change technical details.)