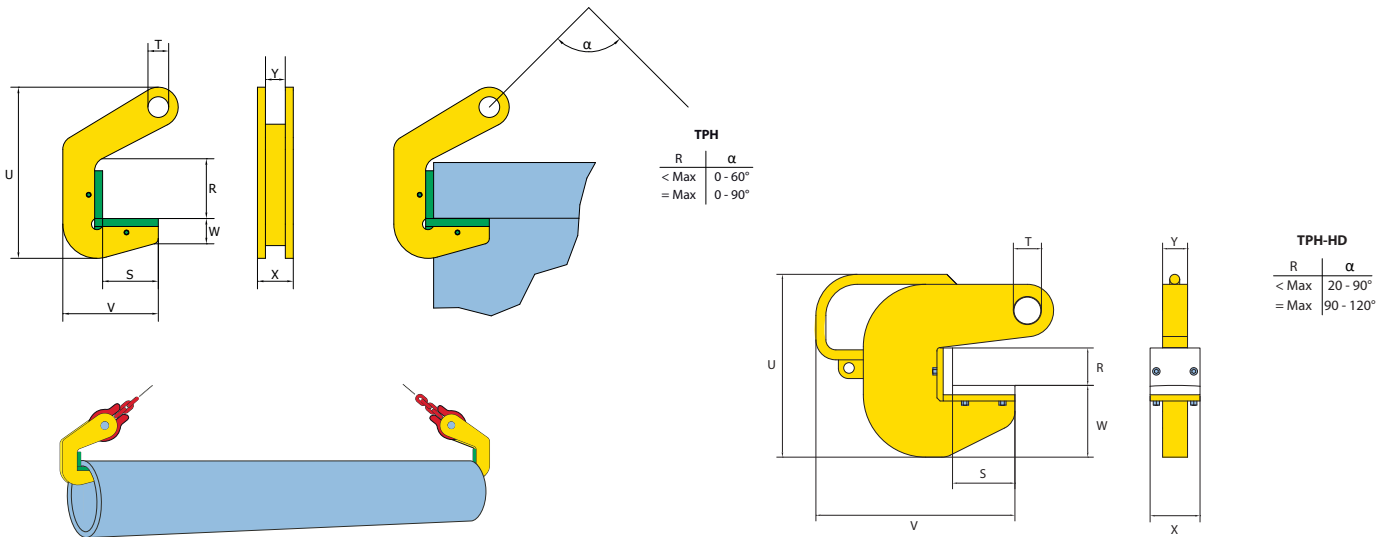




Lifting clamps

TPH / TPH-HD - Heavy duty clamp with high pressure resistant plastic for horizontal pipe lifting



Article Nr.	Type	Capacity (kg/pair)	Jaw opening (R) (mm)	Dimensions in mm							Weight (kg/pc)
				V	S	W	U	T	X	Y	
960150	1.5 TPH	1500	40	120	70	50	185	16	41	25	2
960300	3 TPH	3000	40	120	70	50	185	16	41	25	2
960400	4 TPH	4000	50	140	70	58	204	26	41	25	3
960600	6 TPH	6000	50	140	70	58	204	26	41	25	3
960800	8 TPH	8000	70	140	70	58	224	26	45	25	3.4
960810	10 TPH	10000	70	140	70	58	224	26	85	45	7
960812	12 TPH	12000	70	140	70	58	224	26	85	45	7
960915	15 TPH	15000	70	155	70	76	250	26	100	60	9
960920	20 TPH	20000	70	155	70	76	250	26	100	60	9
965050	5 TPH-HD	5000	60	309	100	85	232	26	80	20	6.7
965100	10 TPH-HD	10000	60	319	100	85	236	36	80	30	9.7
965200	20 TPH-HD	20000	60	362	100	105	285	51	80	35	14
965300	30 TPH-HD	30000	60	387	100	115	310	58	80	40	19
965600	60 TPH-HD	60000	60	418	100	115	350	85	80	60	35

(Important note: Measures and weights without engagement. We reserve the right to change technical details.)