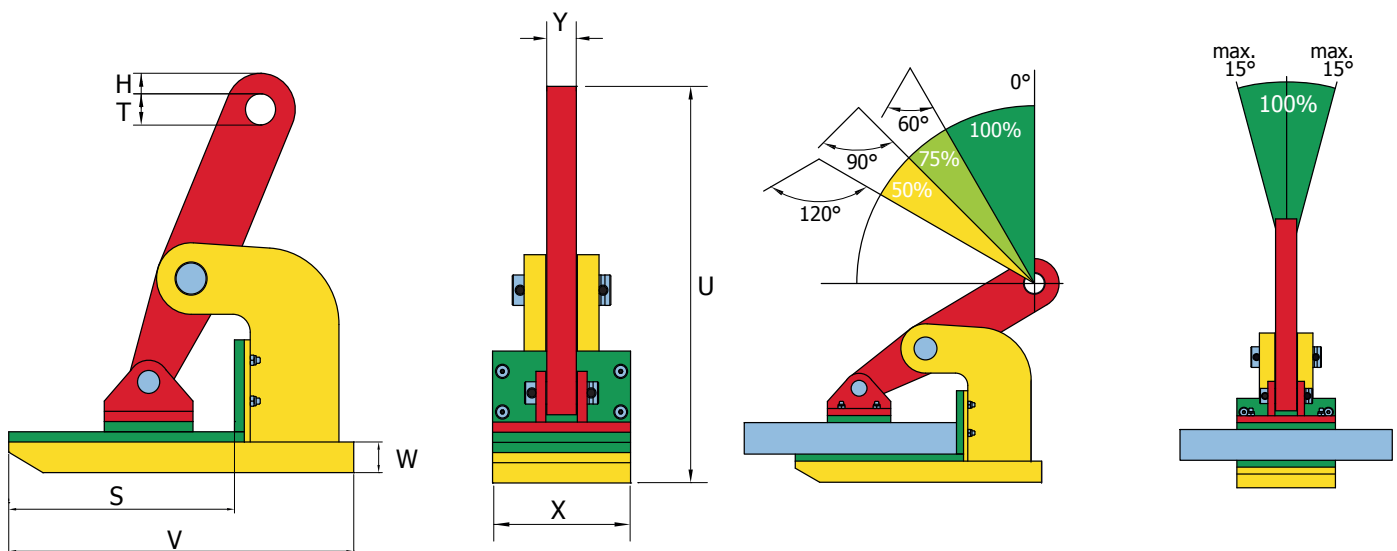




Lifting clamps

TNMH - Horizontal lifting without marking, scratching or damaging the material surface



Article Nr.	Type	Capacity (kg/pair)	Jaw opening (R) (mm)	Dimensions in mm								Weight (kg/pc)
				V	S	W	T	H	U	X	Y	
862810	1 TNMH	1000	0 - 25	140	94	15	20	10	155	65	15	2.4
862820	2 TNMH	2000	0 - 45	225	151	15	30.5	15	267	90	15	7.5
862830	3 TNMH	3000	0 - 45	225	151	20	30.5	15	271	90	15	8.3
862841	4 TNMH	4000	0 - 50	250	161	20	30.5	17.5	300	115	30	13
862861	6 TNMH	6000	0 - 50	250	161	25	30.5	17.5	306	130	30	18

(Important note: Measures and weights without engagement. We reserve the right to change technical details.)