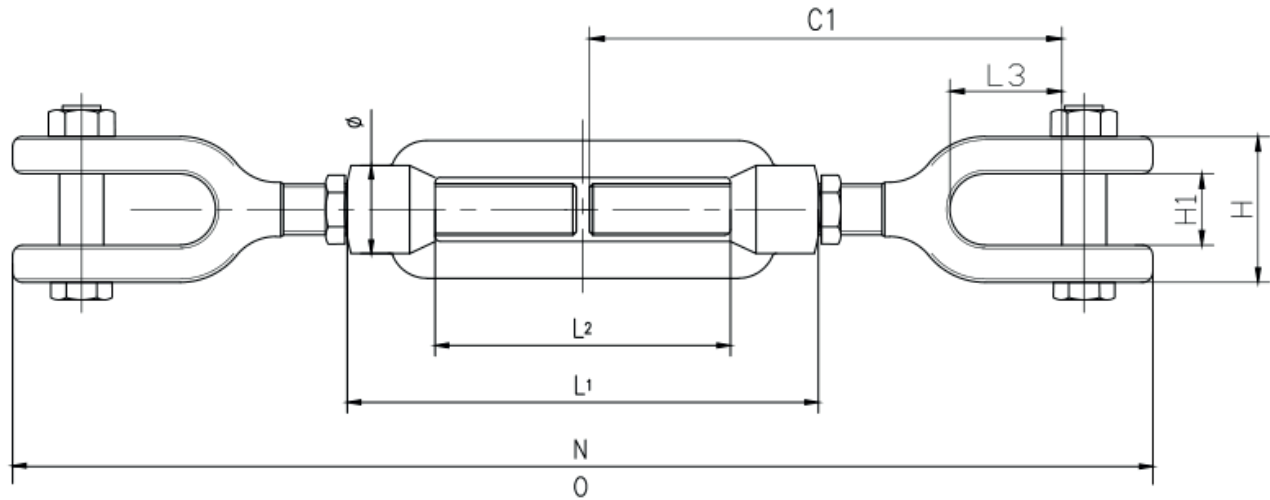




Turnbuckles

**DIN 1480 turnbuckle, jaw - jaw**



- Material : body - steel Q235 (steel grade equivalent to S235JR)
- Finish : electro galvanized
- Standard : DIN1480
- Markings : body - L, size, CE / jaw - WLL, size, CE

Size	Dimensions (mm)								
	C1	H	H1	L1	L2	L3	φ	N (min.)	O (max.)
M12	112.0	33.0	16.5	125.0	80.0	27.0	21.0	252.0	372.0
M14	125.0	41.0	19.0	140.0	90.0	35.0	25.0	276.0	410.0
M16	160.0	41.0	20.0	170.0	110.0	36.0	27.0	350.0	520.0
M20	190.0	50.0	23.0	200.0	130.0	38.0	34.0	430.0	630.0
M22	200.0	54.0	23.5	220.0	145.0	39.0	36.0	460.0	680.0
M24	225.0	57.0	31.0	255.0	170.0	44.5	39.0	500.0	720.0
M27	225.0	63.0	33.0	255.0	175.0	51.0	43.0	500.0	720.0
M30	230.0	70.0	34.0	255.0	160.0	56.0	45.0	520.0	750.0
M33	230.0	75.0	36.0	255.0	160.0	59.0	48.5	530.0	760.0
M36	290.0	81.0	40.0	295.0	180.0	65.0	55.0	660.0	955.0
M39	300.0	88.0	43.0	330.0	205.0	65.0	62.0	700.0	1,030.0
M42	310.0	100.0	49.0	330.0	200.0	84.0	63.0	740.0	1,070.0
M45	350.0	105.0	51.0	355.0	200.0	85.0	80.0	830.0	1,115.0
M48	360.0	118.0	55.0	355.0	195.0	98.0	80.0	870.0	1,225.0
M52	385.0	120.0	56.0	355.0	195.0	98.0	80.0	916.0	1,260.0

(Important note: Measures and weights without engagement. We reserve the right to change technical details.)