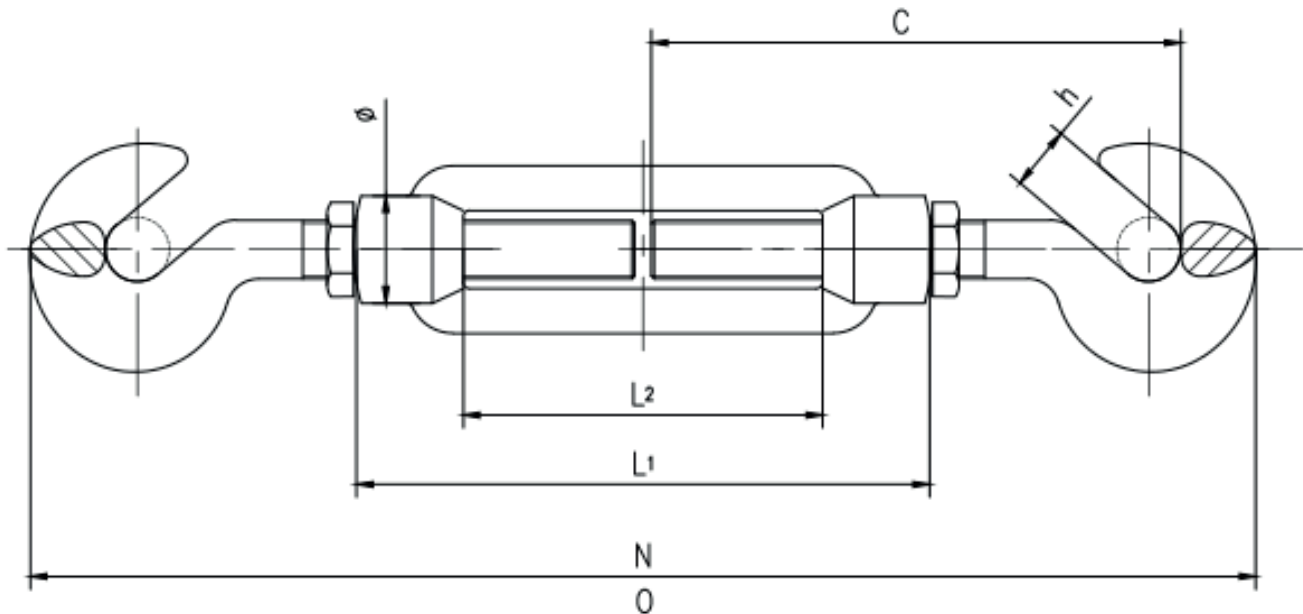




Turnbuckles

DIN 1480 turnbuckle, hook - hook



- Material : body - steel Q235 (steel grade equivalent to S235JR)
- Finish : electro galvanized
- Standard : DIN1480
- Markings : body - L, size, CE

Size	Dimensions (mm)						
	C	h	L1	L2	φ	N (min.)	O (max.)
M12	117.0	15.5	125.0	80.0	21.0	234.0	314.0
M14	122.0	18.5	140.0	90.0	25.0	244.0	334.0
M16	138.0	19.0	170.0	110.0	27.0	276.0	384.0
M20	170.0	20.5	200.0	130.0	34.0	340.0	470.0
M22	185.0	26.0	220.0	145.0	36.0	370.0	515.0
M24	205.0	26.0	255.0	170.0	39.0	410.0	580.0
M27	210.0	30.0	255.0	175.0	43.0	430.0	605.0
M30	225.0	33.0	255.0	160.0	45.0	450.0	610.0
M33	225.0	38.0	255.0	160.0	48.5	460.0	620.0
M36	255.0	44.0	295.0	180.0	55.0	510.0	690.0
M39	270.0	40.0	330.0	205.0	62.0	540.0	745.0
M42	320.0	48.0	330.0	200.0	63.0	640.0	840.0
M45	330.0	58.0	355.0	200.0	80.0	660.0	860.0
M48	360.0	58.0	355.0	195.0	80.0	720.0	915.0
M52	365.0	62.0	355.0	195.0	80.0	730.0	925.0
M56	370.0	64.0	355.0	195.0	80.0	740.0	935.0

(Important note: Measures and weights without engagement. We reserve the right to change technical details.)