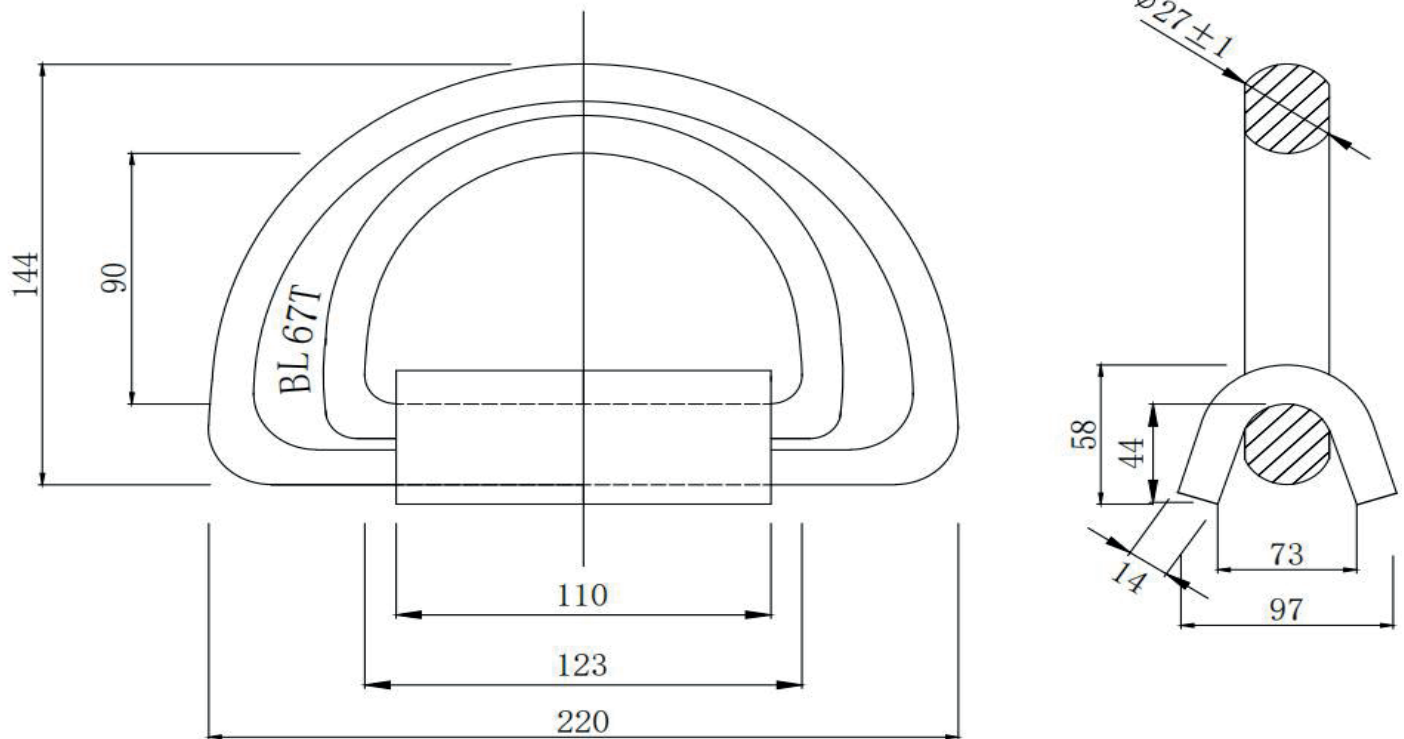




Weld-on D-rings

## D-ring MBL 67T



- Material : ring forged steel | plate bent steel
- Finish : as per customer request, normally natural black, oiled, hot dipped galvanized, with corrosion inhibitor or with zinc primer
- Packing : ring - 300 pcs / case  
cap - 500 pcs / case

Type	SWL kN / t	MBL kN / t	Cap Weight kg	Ring Weight kg
D67	328 / 33.5	657 / 67	1.55	3

(Important note: Measures and weights without engagement. We reserve the right to change technical details.)