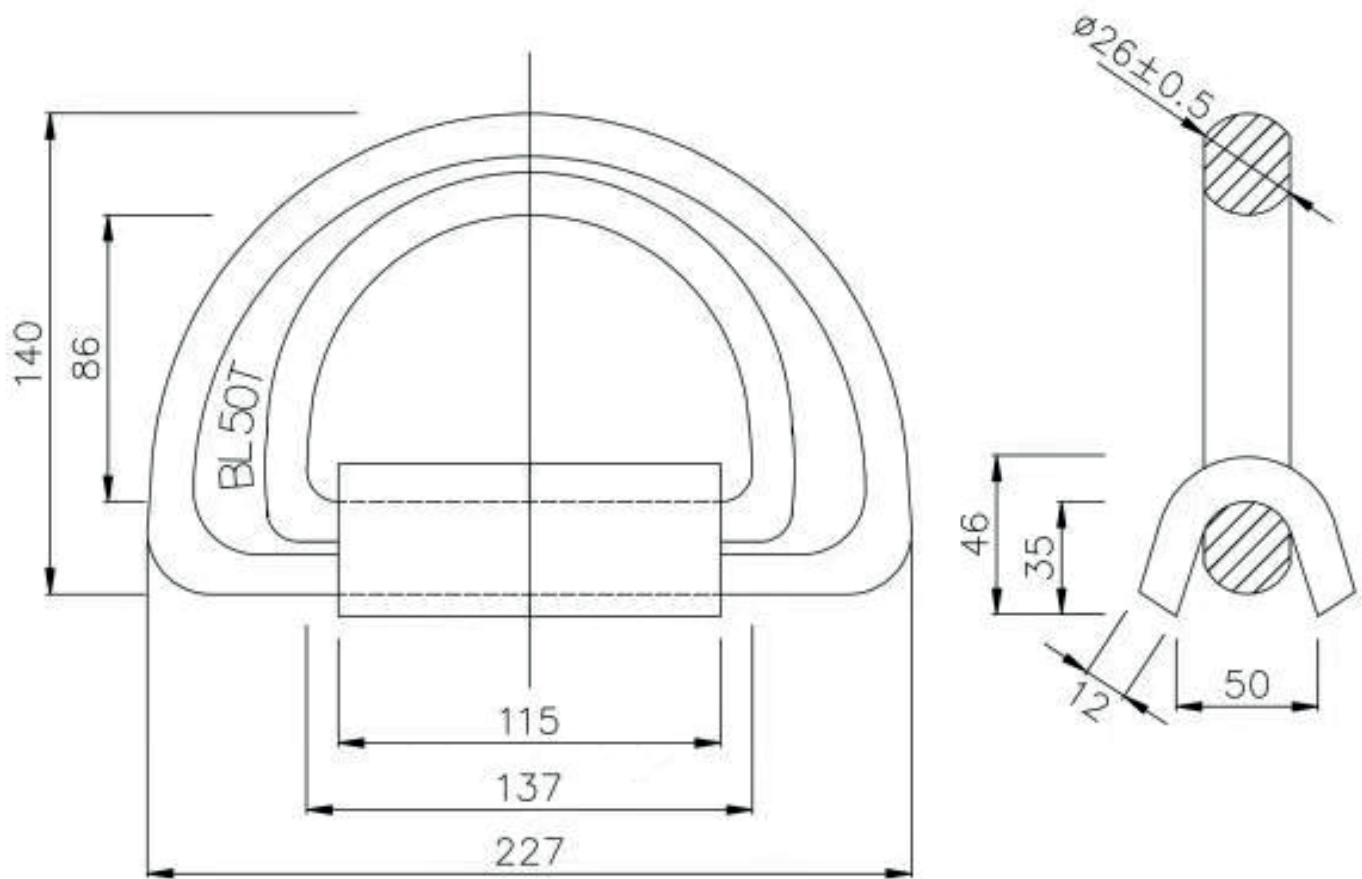




Weld-on D-rings

D-ring MBL 50T, type B



- Material : ring forged steel | plate bent steel
- Finish : as per customer request, normally natural black, oiled, hot dipped galvanized, with corrosion inhibitor or with zinc primer
- Packing & markings : as per customer request

Type	SWL kN / t	MBL kN / t	Cap Weight kg	Ring Weight kg
D50 B	245 / 25	490 / 50	1.2	2.8

(Important note: Measures and weights without engagement. We reserve the right to change technical details.)