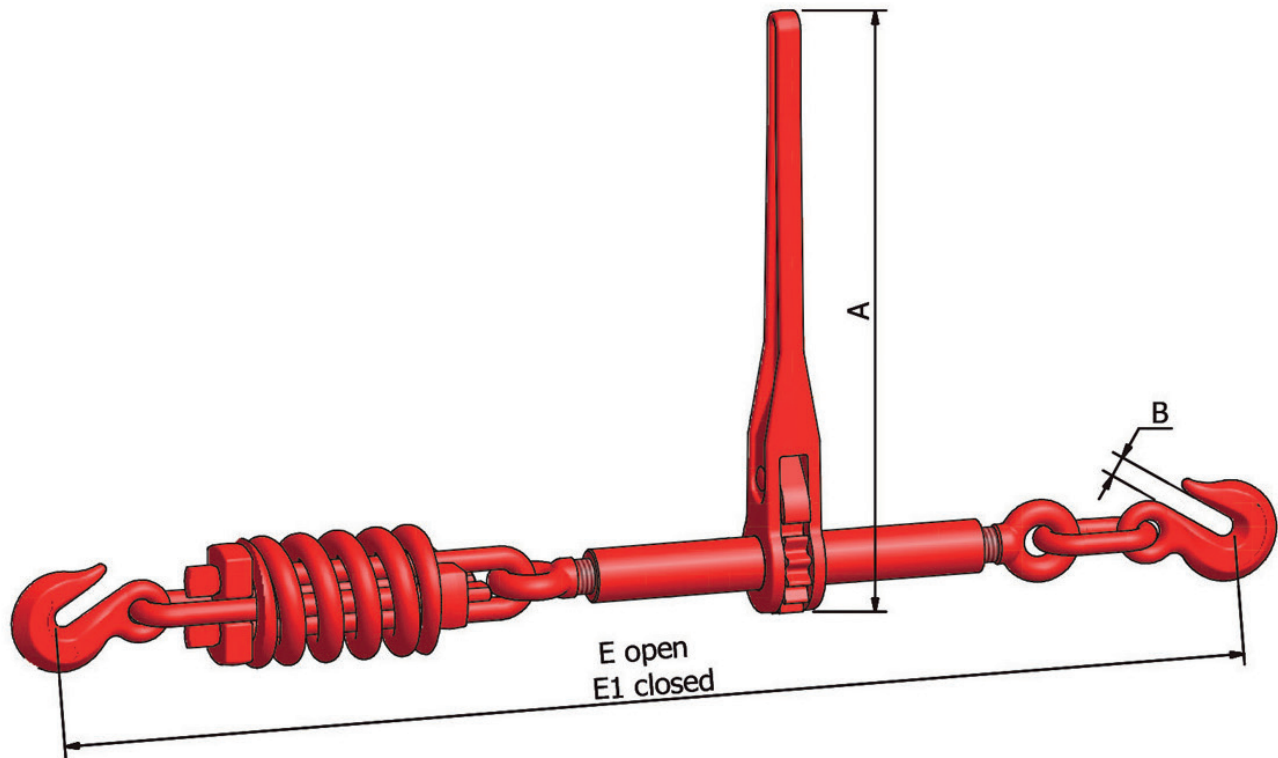




Short link lashing chains & load binders

## US type spring ratchet load binder



Applied norm WSTDA T6

- Standard : US DOT FMCSA Part 393 Subpart I and WSTDA T6
- Testing : individually proof tested at 1.5 x LC
- Finish : powder coated
- Certification : mill certificate
- Packing : 2, 5 or 10pcs per carton box

| Part Number | Size        | WLL (lbs) | MBL (lbs) | Weight (lbs) | Dimensions (in) |      |       |             |
|-------------|-------------|-----------|-----------|--------------|-----------------|------|-------|-------------|
|             |             |           |           |              | A               | B    | E     | E1          |
| Q12808      | 5/16 - 3/8" | 5,400     | 19,000    | 14.92        | 15.24           | 0.50 | 30.82 | 37.10-38.30 |
| Q12810      | 3/8 - 1/2"  | 9,200     | 33,000    | 19.43        | 15.24           | 0.65 | 31.61 | 38.10-39.20 |

Ultimate load is 3.5 times the working load limit

(Important note: Measures and weights without engagement. We reserve the right to change technical details.)