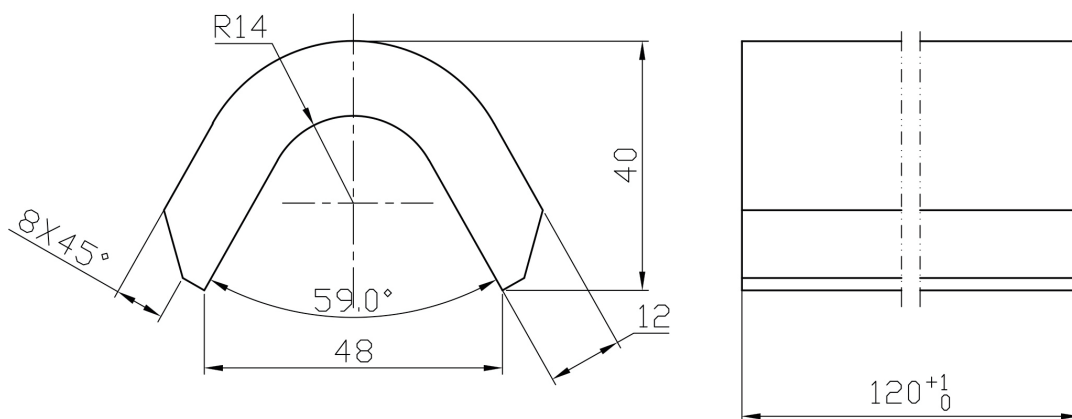


alternative
heavy duty strap



- Material : ring forged steel | plate bent steel
- Finish : as per customer request, normally natural black, oiled, hot dipped galvanized, with corrosion inhibitor or with zinc primer
- Packing & markings : as per customer request

Type	SWL kN / t painted	MBL kN / t painted	Strap Weight kg	Ring Weight kg	Dimensions (mm)								
					A	B	C	D	E	F	G	H	I
D36	176.5 / 18	353 / 36	0.8	1.7	120	79	120	130	200	55	10	37	23

(Important note: Measures and weights without engagement. We reserve the right to change technical details.)

Your exclusive agent:

Stuut Lifting & Lashing -
☎ +49 5228 9628290
Further information:

SLL Handelsvertretung e.K.
✉ sales@lifting-lashing.de
www.lifting-lashing.de

Version: YUE, 2018-08-21, GB



Stuut Lifting & Lashing

...the best link between you and the manufacturer

© Copyright 2018 Stuut Lifting & Lashing. All rights reserved.